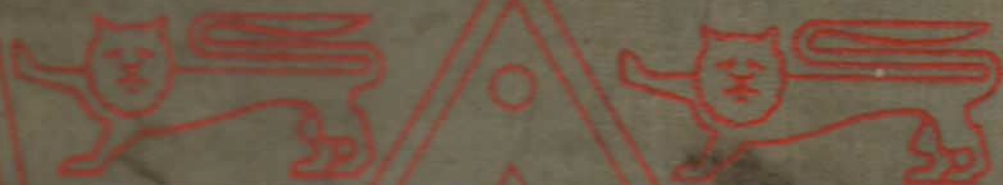


FORD



NEW CAR

SALES TRAINING

1972 FORD CAR FACTS BOOK

Introduction

Ford Division's product line for 1972 includes 39 models in 6 distinct car lines. This represents a reduction of 8 models from 1971, but still effectively covers all segments of the market. From the little carefree car, Pinto, to the trend-setting Maverick and Mustang and including the elegant LTD, refinements have been developed and built into the cars to make them more competitive and a better value to your customers. In addition, in 1972 you will have an all new, completely redesigned Torino and a magnificent new Thunderbird.

Refinements in the full-sized FORD line for 1972 start with a sparkling new front and rear appearance that continues to accentuate the quiet formal look of elegance. New front end design features include new center and side grilles plus a new stronger front bumper with center bar adding protection to the center grille area. The rear end has been enhanced by restyled deck lids, a higher larger bumper and distinctive valence panel.

The popular Galaxie 500 and Country Sedan models have new full wheelip and rocker panel mouldings and the LTD and LTD Brougham models feature a center reflector lens at the rear, flanked by two newly designed taillights. Four new standard colors add further glamour to the line. Inside, high back front bench seats are included on all LTD Broughams. From a safety point of view a new 12-inch wide inside rear view mirror is now standard along with a new improved seat belt reminder system.* Functionally, the 351 CID 2V V-8, SelectShift Cruise-O-Matic and power steering are now standard and all engines are designed to operate on regular fuel. Important new options include an electrically operated sunroof and an electric rear deck lid release. Three new optional Color-Glow finishes add further glamour and distinctive new bodyside protection moulding features a full vinyl insert and greater length, adding protection to the rear quarter panel. In station wagons, Ford the "WAGONMASTER" of the industry continues to lead the way. In 1972, the three-way Magic Door-gate will have a separate power door lock option.

The 1972 TORINO is all new from top to bottom to meet the needs of the expanding market for intermediate-sized cars and wagons. From the outside, Torino's dramatic all-new styling gives a "big car" appearance. Supporting these new bodies are Ford's famous "S" type torque box perimeter frames for added passenger protection. A new front suspension system and wider treads coupled with the new four-link "Stabul" Rear Suspension provide an exceptionally smooth, quiet ride and easy handling. Two-door models have a shorter, sporty 114-inch wheelbase, while four-door models have a longer 118-inch wheelbase. On the inside, Torino features new high back front seats with integral head restraints. Also new is standard steel "Guard Rail" side impact protection and improved sound insulation. Torino Wagons have more than four feet of width between wheelhousings for more usable loadspace, and new three-way "Magic Door-gate". There's a new power team line-up and manual front disc brakes are standard on all models with power front disc brakes standard on Squire Wagons.

Important new options include a plush Brougham interior trim group, six-way power bench seats, electric door locks, Instrumentation Group, new audio equipment, higher capacity air conditioning system, integral power steering, Rallye Equipment Group, plus two new trailer towing packages.

MUSTANG'S dramatic styling with trend-setting long hood/short deck proportions and sporty roof lines continue to make it America's most successful sporty compact. Again in 1972, there are three basic body styles—Hardtop, SportsRoof and Convertible. The Hardtop series continues to be

the big seller of this car line. It accounts for nearly 40% of sales and is the basis of Mustang's vast owner body. This body style also includes the luxurious Grandé, a car that is unique in the sporty compact field. The SportsRoof body style is available in a base model, as well as the highly styled, performance-oriented Mach I. In all, Mustang offers five models—more than any other car in its field.

Product highlights for '72 include a substantially upgraded base car featuring bright wheelip and rocker panel mouldings, bright chrome plated wheel covers, color-keyed dual racing mirrors and deluxe two-spoke steering wheel. A new decor Group which includes Mach I components adds still more glamour and luxury to base hardtop and convertible models. Mustang's power team features engines that run on regular fuel, revised emission controls, a new positive seat belt reminder system (*) and other new refinements designed to give buyers greater comfort, convenience and value.

MAVERICK—America's first "Simple Machine"—continues to offer the most appealing combination of roominess with small car dimensions, agile performance, excellent economy, exceptional reliability, easy serviceability, high quality and low price. The simple machine comes 3-ways: 2-door sedan—for practical transportation; Grabber—the little big sport, and 4-door sedan—the family sized compact. New for 1972, is a positive front seat belt reminder system. This system includes a light and buzzer mounted in the instrument panel which are activated by sensors if any attempt is made to drive the car without the driver and front seat passenger (if aboard) first fastening their seat belts (*). There's 15 exterior colors available of which 4 are new. In addition there are 2 new optional Color-Glow finishes. New body trim combinations are offered on the performance-styled Grabber Sport Sedan. An axle ratio change improves economy of the 250 CID Six with automatic transmission. Steel belt radial ply tires are also now available for extra driving safety.

In sub-compacts, the fast-selling PINTO competes head-on with the leading imports in cost of ownership, and is more than competitive in terms of comfort, convenience and ease of serviceability. Pinto has plusses like eye-catching style, easier entry, more interior room, quick acceleration, wide tread stability, responsive rack and pinion steering, plus outstanding heating and DirectAire ventilation. The sporty Pinto 2-door Sedan and 3-door Runabout have a unitized body, featuring low, rakish, hug the road-type styling. A fold-down rear seat is standard on the Runabout, optional on the Sedan. The standard power train includes an economical 1600 cc 4-cylinder engine coupled to a 4-speed manual transmission. Also available is a 2000 cc engine for extra power plus a 3-speed automatic transmission. **New features for '72 include greater glass area on the rear door of the Runabout, blue steering wheel and column on models with blue trim, and instrument panel bright accents.** In addition, there is a new front seat belt reminder system, (*) five new exterior colors including two new optional Color-Glow finishes for greater eye appeal, and a relocated dimmer switch for easier access.

The all-new THUNDERBIRD with its traditionally distinctive styling is designed to appeal to personal luxury buyers and medium price buyers in 1972. Available only in one series and body style, the elegant new Thunderbird two-door hardtop has a longer wheelbase, wider rear roof pillars and smooth-flowing body contours. The new longer body is matched to a rugged new frame along with a newly designed front and new "Posi-Ride" rear suspension for greater stability and a smoother ride. Long-wearing Michelin steel belt radial ply tires are standard. The luxurious all-new interior is roomier than ever, especially for rear seat passengers. Formerly optional and now standard is a split-bench seat with plush cloth and vinyl trim. Also now standard are convenient map lights, assist handles and rich, cut-pile car-

1972 FORD CAR FACTS BOOK

peting—a luxury level comparable to the former premium-priced Brougham option. An outstanding selection of power, comfort, convenience and appearance options including new radios, convenience lights, Sure-Track brake control system, sunroof and a new trailer towing package are offered to permit the buyer to design his 1972 Thunderbird to satisfy her personal tastes.

FORD ENGINES

All 1972 engines are designed to operate on regular gasoline with octane rating of at least 91 when the engine is adjusted to factory recommended specifications.

Using the Facts Book

The 1972 Facts Book is designed to provide information on all Ford Division cars in an organized, easy-to-find manner. Each of the sections include a comprehensive index to quickly direct you to the information you require. Specific items are categorized under major topic headings. In addition, all new features and options are set in bold-face type.

Also to be reviewed in your 1972 Facts Book is a "Product Highlights" summary near the beginning of each car line section. The "Highlights" summary provides a quick review of each car line's major selling points and key features. In addition, the Ford and Torino sections have a separate page devoted to Station Wagon features, while Pinto and Maverick sections include a summary of their car line serviceability features.

Become familiar with what your Facts Book contains. You'll find it's a valuable tool in your daily selling activity.

Finding Your Information

CAR SECTIONS

Each of the car line sections follow the same basic organization. Sequence is as follows:

INDEX with items categorized under major subheadings in each category. New features and options are bold-face type.

MODEL LINEUP with picture and body code numbers as well as the sales model code numbers.

MARKET SUMMARY with brief description of the series and the particular segment of the market toward which models are directed.

PRODUCT HIGHLIGHT page with new and major product features.

SERIES DESIGN FEATURES with standard interior and exterior design features for each series.

CHASSIS AND BODY FEATURES pages which carry illustrations and descriptions of engineering features which contribute to Ford's reliability, durability, safety, convenience, and comfort.

OPTIONS pages with illustrations and descriptions of new and major carryover options and a complete option listing.

GENERAL SPECIFICATIONS are grouped together near the end of each section and include engine-transmission-axle combinations, tire and wheel specifications, brake specifications, steering specifications, curb weights and body dimensions.

COLOR AND TRIM pages at the end of each section give quick reference to color and trim combinations available for each model.

POLICE AND TAXICAB

This section includes descriptions, specifications and listings of the various Police and Taxi packages as well as options available for 1972.

POWER TEAMS

Engine, transmission, clutch, and driveline information and specifications are included in a single section for your easy use.

FORD LIFEGUARD-DESIGN SAFETY FEATURES

In addition to the many standard items shown with the individual car lines, all 1972 Ford Motor Company cars are equipped with the following Lifeguard Design Safety Features:

- Dual Hydraulic Brake System with warning light.
- Glare reduced instrument panel padding, windshield wiper arms, steering wheel hub, rearview mirror/mirror mounting and windshield pillars.
- Energy-absorbing steering column and steering wheel.
- Energy-absorbing armrests and safety-designed door handles.
- Front and rear lap belts for all seating positions with retractors for front outboard occupants.¹
- Shoulder belts for front outboard occupants (except convertibles).²
- Turn indicators with lane-changing signal feature.
- Inside yield away rearview mirror.
- Energy-absorbing instrument panel with padding.
- Padded sun visors.
- Locking steering column with warning buzzer.
- Two-speed or variable speed windshield wipers.
- Windshield washers.
- High strength laminate safety glass windshield.
- Double-yoke safety door latches and safety hinges.
- Hazard warning flasher.
- Back-up lights.
- Side marker lights.
- Energy-absorbing front seat back tops with padding.
- Self-locking front seat backs on two-door vehicles.
- Safety-designed coat hooks (except convertibles).
- Safety-designed radio control knobs and push buttons (on all cars equipped with radios).
- Outside rear view mirror, driver's side.
- Safety rim wheels and load-rated tires.
- Corrosion-resistant brake lines.
- Uniform transmission shift quadrant (on all cars equipped with automatic transmissions).
- Parking lamps coupled with headlamps.
- Non-reversing odometer.
- Safety design front end structure.
- Head restraints or high back seats for front outboard occupants.
- Safety glove-box latch (on all cars equipped with glove-boxes).

¹ Effective with cars produced after 12/1/71, change to read: "Front and rear lap belts with mini buckles for all seating positions and retractors for front and rear outboard occupants."

² Effective with cars produced after 12/1/71, add "Positive reminder warning light and buzzer for front outboard seat belts" after "Shoulder belts for front outboard occupants."

The description and specifications contained in this book were in effect at the time the publication was approved for printing and are subject to change. Ford Motor Company, whose policy is one of continuous improvement, reserves the right to discontinue models at any time, or change specifications or design without notice and without incurring obligation. All options and accessories illustrated or referred to as optional or available in this book are at extra cost.

1972 WARRANTY AND SAFETY STANDARD CERTIFICATION LABEL INFORMATION

VEHICLE WARRANTY LABEL—

(Label is affixed to the left front door lock face panel)

MFD. BY FORD MOTOR CO.

This space will contain the month and the year of manufacture plus the statement, "This vehicle conforms to all applicable Federal Motor Safety Standards in effect on the date of manufacture shown above."

VEH IDENT NO.		BODY	COL
2W54H100001		54F	3D
TRIM	AXLE	TRNS	DSO
KB	2	W	48

VEHICLE IDENTIFICATION NUMBER (VIN) TAB

The "VIN" number will be stamped on a metal tab that will be riveted to the instrument panel close to the windshield on the driver side of the car and will be visible from the outside.



(Tab may vary in appearance by car line)

EXPLANATION OF CODES

Body 54F-Body Type Code
(Ford Galaxie 500 4-Door Sedan)
Col 3D-Exterior Paint Color
(Medium Blue Metallic)
Trim..... KB-Trim Color and Type
(Blue, Cloth and Vinyl)
Axle 2-Rear Axle Ratio (2.75 to 1)
Trns W-Transmission Type (Cruise-O-Matic)
DSO 48-District Sales Office Number (Detroit)

VEH. IDENT. NO.—2W54H100001

2..... Last Digit of Model Year (1972)
W..... Assembly Plant (Wayne)
54..... Sales Model Code-Body Type
(Ford Galaxie 500 4-Door Sedan)
H..... Engine Type (351 2v V-8)
100001..... Serial Number

BODY TYPE CODE The Body type is identified by a combination numerical-alphabetical code. These codes are shown on page two of each car line section.

COLOR CODE Refer to the Color and Trim Chart in each car line section or the 1972 Color and Upholstery Book for available colors and their code numbers. If a special paint is used, the color space on the warranty label will not be stamped but identification can be made by referring to the special order number shown under the "DSO" space after the two-digit sales district code number.

TRIM CODE Refer to the Color and Trim Combination Chart in each car line section or the 1972 Color and Upholstery Book for available trim types and colors and their code numbers. Deviation trim sets use existing trim codes, plus a suffix. A numerical suffix denotes trim that is not serviced, i.e., BA-1, BA-2; an alphabetical suffix denotes trim that is serviced, i.e., BA-A, BA-B.

AXLE CODE The rear axle ratio is denoted by:

Regular	2	3	4	G	H
Traction Lok	K	—	M	—	—
Ratio	2.75	2.79	2.80	3.55	3.82
Regular	6	7	9	A	—
Traction Lok	θ	—	R	S	V
Ratio	3.00	3.18	3.25	3.50	3.91

TRANSMISSION CODE The transmission type is denoted by a numerical or letter code: 1 Three-Speed Manual; 5 Four-Speed Manual; E (Pinto)—Four-Speed Manual; and U, W, X, Z — Cruise-O-Matic.

DSO CODE (District Sales Office and Special Order) Domestic special orders, foreign special orders and pre-approved special orders have the complete order number stamped on the label after the District Sales Office code. If regular production, the DSO space on the label will carry only the District Code Number.

ENGINE CODE Engines for domestic use are denoted by the use of code letters.

W—1600 CC Four	D—302 2v V-8 (Taxi)
X—2000 CC Four	H—351 2v V-8
U—170 Six	Q—351 4v V-8
T—200 Six	R—351 4v V-8
V—240 Six	S—400 2v V-8
B—240 Six (Police)	N—429 4v V-8
E—240 Six (Taxi)	P—429 4v V-8 (Police
L—250 Six	Interceptor)
F—302 2v V-8	A—460 4v V-8

ASSEMBLY PLANTS AND CODE LETTERS

A—Atlanta	N—Norfolk
B—Oakville	P—Twin Cities
E—Mahwah	R—San Jose
F—Dearborn	T—Metuchen
G—Chicago	U—Louisville
H—Lorain	W—Wayne
J—Los Angeles	Y—Wixom
K—Kansas City	X—St. Thomas

TRAILER TOWING WARRANTY STATEMENT

The laws of several states now provide that the implied warranty of fitness for intended purpose may not be disclaimed by an express written warranty.

Salesmen selling vehicles or parts to be used for towing or hauling of other accessories such as campers are obligated to advise customers of the suitability of the product sold for the purposes intended. If a salesman sells a hitch to a customer who has made known the type of towing intended, the salesman must advise the customer of the limits of the particular hitch being sold. Such limits should be noted on the Retail Buyer Order to assure an adequate record.

SCHEDULED MAINTENANCE SERVICES

Emission Systems Required Maintenance Services

These maintenance services must be performed at the indicated intervals, following the procedures in the 1972 Ford Car Shop Manual. Maintenance service adjustments **MUST CONFORM TO SPECIFICATIONS** published in the 1972 Ford Car Specifications Manual, or the emission systems may become inoperative. These services are not covered by the Warranty, and the owner will be charged for the labor, parts and lubricants used.

Any modification of the emission control systems is subject to the penalties of federal law (U.S.) if made prior to the first sale and registration, and is subject to penalties under the laws of some states, if made thereafter. Further, federal law prohibits vehicle manufacturers or dealers from knowingly removing or rendering an emission control system inoperative after sale and delivery to an ultimate purchaser.

In Canada, any modification of the emission control systems is subject to applicable penalties prescribed by federal or provincial laws.

Each 6,000 Miles or 6 Months (Whichever Occurs First)

- Replace crankcase emission filter element in air cleaner.
- Change engine oil and oil filter ①.
- Check and adjust carburetor idle fuel mixture, idle speed and fast idle speed—4 cylinder.
- Clean crankcase oil filler breather cap, if so equipped.
- Lubricate exhaust control valve and check for free operation, if so equipped.
- Pinto—adjust 1600 cc engine valve clearance.
- Pinto—check deceleration valve—adjust if necessary (at first 6,000 miles or 6 months only).

Each 12,000 Miles or 12 Months (Whichever Occurs First)

- Replace carburetor air cleaner element.
- Replace fuel system filter, check fuel lines and connections for leaks.
- Replace distributor points and set gap. Inspect condenser for loose terminal and ground connections.
- Replace spark plugs and set gap ①. Check secondary ignition wires resistance. Inspect wires for cuts, burns, abrasions or punctures.
- Replace PCV valve. Clean emission system hoses, tubes. Replace if deteriorated.
- Replace spark delay valve, if so equipped.
- Adjust engine valve clearance—Pinto 2000 cc.
- Check operation of carburetor throttle and choke linkage and air valve, dashpot and throttle solenoid. Lubricate, adjust or repair as required.

① SEVERE SERVICE OPERATION

- When operating your car under any of the following conditions, change engine oil and filter every 3 months or 3,000 miles, and clean and regap spark plugs every 6 months or 6,000 miles, whichever comes first.
- Extended periods of idling or low-speed operation such as police, taxi, or door-to-door delivery service.

- Torque intake manifold bolts to specifications, 4- and 8-cylinder.
- Inspect all spark control system vacuum hoses and electrical leads for damage, deterioration, and firm connections to proper points.
- Check for correct spark control system advance and retard vacuum cut-in speed, and function of thermal switch. Adjust or repair as required.
- Check for correct component assembly and functioning of air cleaner intake temperature control system, if so equipped.
- Check and adjust initial ignition timing.
- Check and adjust carburetor idle fuel mixture, curb idle speeds, and throttle solenoid off speed—6- and 8-cylinder.
- Clean ignition coil tower and test voltage output.
- Clean and inspect distributor cap and rotor for cracks, carbon build-up or erosion.

Each 24,000 Miles or 24 Months (Whichever Occurs First)

- Replace evaporative emission control canister and purge hose.
- Replace distributor cap and rotor.
- Check and adjust distributor spark advance.

At 24,000 Miles and 36,000 Miles

- Test engine compression—all cylinders. Repair any cylinder below specifications.

Each 48,000 Miles or 1 Year (Whichever Occurs First)

- Check fuel emission system.

The use of fuels, lubricants, fluids, and parts that do not conform to Ford specifications may result in invalidating the emission Warranty. Owners can be confident that Ford lubricants and parts from Ford meet these specifications.

Car Maintenance Services

Each 6,000 Miles or 6 Months (Whichever Occurs First)

- Adjust automatic transmission bands—Police, taxi or other severe service (at 6,000 miles or 6 months, 18,000 miles or 18 months and 36,000 miles or 36 months only).
- Check clutch pedal free play. Adjust if required.
- Check rear axle fluid level, add fluid if required.

- Check manual transmission fluid level, add fluid if required.
- Check automatic transmission fluid level, add fluid if required.
- Check brake master cylinder fluid level, add fluid if required.

SCHEDULED MAINTENANCE SERVICES

Emission Systems Required Maintenance Services

Car Maintenance Services (Cont.)

Each 6,000 Miles or 6 Months (Whichever Occurs First) (Cont.)

- Check power steering fluid level, add fluid if required.
- Check exhaust manifold bolt torque—4 cylinder. (At first 6,000 miles or 6 months only.)
- Lubricate all lock cylinders.
- Lubricate hood hinges, hood latch and auxiliary catch.
- Lubricate tailgate hinges and support.

Each 12,000 Miles or 12 Months (Whichever Occurs First)

- Adjust automatic transmission bands—Normal service (at first 12,000 miles or 12 months only.)
- Inspect and lubricate clutch and transmission linkage.
- Inspect cooling system for dirty or rusty coolant; for leaks, deteriorated hoses and loose hose clamps. Check

drive belts for tension and wear, adjust or replace as required ②.

- Check steering linkage for abnormal looseness or damaged seals. Lubricate steering arm stops.

Each 24,000 Miles or 24 Months (Whichever Occurs First)

- Drain and flush cooling system (at each 24 months regardless of mileage). ②

Each 30,000 Miles or 30 Months (Whichever Occurs First)

- Inspect brake lining and lines. Clean and repack front wheel bearings.

Each 36,000 Miles or 36 Months (Whichever Occurs First)

- Lubricate front suspension ball joints and steering linkage (power steering control valve ball stud, if so equipped.)

② The cooling system should be inspected each 12,000 miles or 12 months. If the coolant is dirty or rusty in appearance the system should be drained and flushed. The radiator cap should be cleaned and the system refilled with the specified solution of coolant and water.

NON-SCHEDULED MAINTENANCE SERVICES REQUIRED

Items should be checked periodically and service performed when required.

These services are not covered by the Warranty, and the owner will be charged for the labor, parts and lubricants used.

Maintenance Operation

- Inspect and rotate wheels and tires.
- Check air conditioning system.
- Check front wheel alignment and steering linkage. Balance wheels.
- Check parking brake cable tension and adjust if required.
- Check headlamp alignment.
- Clean body drain holes or examine dust valve for proper operation.
- Replace windshield wiper blades.
- Lubricate door and hood hinges and checks.

When Performed

- Tires show uneven wear pattern.
- At beginning of warm weather season.
- Poor ride and handling characteristics or abnormal tire wear.
- Excessive foot pedal travel required to hold or will not hold car.
- Light beam appears too high or too low.
- Improper water drainage from body is suspected.
- Blades do not properly clean windshield.
- High effort required to swing doors or audible squeaks.

FORD INDEX

1972 FORD MODELS

Complete Model Line Up.....	2
CUSTOM SERIES.....	5
CUSTOM 500 SERIES.....	5
GALAXIE 500 SERIES.....	6
LTD SERIES.....	7
LTD BROUGHAM SERIES.....	8
STATION WAGON FEATURES.....	9
CUSTOM RANCH WAGON 6-PASSENGER...10	
CUSTOM 500 RANCH WAGON 6-PASSENGER.....	10
CUSTOM 500 RANCH WAGON DUAL FACING REAR SEAT.....	10
COUNTRY SEDAN 6-PASSENGER.....	11
COUNTRY SEDAN DUAL FACING REAR SEAT.....	11
COUNTRY SQUIRE 6-PASSENGER.....	11
COUNTRY SQUIRE DUAL FACING REAR SEAT.....	11

BODY FEATURES

Body Construction.....	15
Body Insulation.....	16
Body Mounts.....	15
Body Sealing Material.....	16
BUMPER JACK.....	18
Concealed Windshield Wipers.....	18
Convertible Rear Seat.....	18
Door Handles.....	18
Doors.....	17
Headlight Adjustment.....	18
Heating.....	17
INSIDE MIRROR.....	18
Luggage Compartment.....	18
Power Ventilation.....	17
Rust Prevention.....	15
SEAT BELT REMINDER SYSTEM.....	17
Seats.....	17
Side Marker Lights.....	18
Six Step Paint Process.....	15
Three-Way Magic Doorgate.....	9
Uni-Lock Safety Harness.....	17
Windows.....	18

CHASSIS FEATURES

Brakes.....	14-15
Frame.....	13
Front Suspensions.....	14
Locking Steering Column.....	13
Manual Brakes.....	14
Power Front Disc Brakes.....	15
POWER STEERING.....	13

Rear Suspension.....	14
Shock Absorbers.....	14
Steering Wheel.....	13
Suspension Specifications.....	14
Tires.....	13
Wheels.....	14
COLOR AND TRIM.....	27-28
MARKET DATA.....	3
OPTIONS	

Complete Options Listing.....	22-23
Automatic Load Adjuster.....	21
Automatic Seat Back Release.....	20
Cornering Lights.....	19
Deluxe Luggage Rack.....	20
Fingertip Speed Control.....	19
COLOR-GLOW FINISHES.....	19
Lockable Side Storage Compartment/ Carpeted Cargo Area.....	9
"MINI" SIZE AM/FM RADIO.....	19
POWER OPERATED SUNROOF.....	19
POWER TAILGATE LOCK.....	9
Plaid Seat Trim for Wagons.....	20
Rear Window Electric Defrost.....	20
REMOTE CONTROL	
ELECTRIC TRUNK RELEASE.....	19
SelectAire Air Conditioner with Automatic Temperature Control.....	19
Split High Back Bench Seat With Reclining Passenger Seat.....	19
Station Wagon Doorgate Washer/Wiper.....	9
STEEL-BELTED RADIAL PLY TIRES.....	20
Traction-Lok Differential Axle.....	20
Trailer Towing Package.....	20
Wheel Covers.....	21
INTERMITTENT WINDSHIELD WIPERS.....	19
PERFORMANCE.....	21
ENGINES.....	21
Maneuverability.....	21
TRANSMISSIONS.....	21
POWER TEAMS.....	24
PRODUCT HIGHLIGHTS.....	4

SPECIFICATIONS

Body Dimensions.....	26
Brake Specifications.....	25
CURB WEIGHTS.....	25
POWER TEAM SELECTIONS.....	24
Steering Specifications.....	25
Tire Availability.....	24
Wheel Specifications.....	25
STANDARD EQUIPMENT.....	12
STATION WAGON FEATURES.....	9
NOTE: New features in bold face type.	

FORD 19 MODELS

FOUR DOOR SEDANS (3)

	Sales Code No.	Body Code No.
Custom	51	54B
Custom 500	53	54D
Galaxie 500	54	54F



Custom 500

TWO DOOR HARDTOPS (3)

	Sales Code No.	Body Code No.
Galaxie 500	58	65F
LTD	62	65H
LTD Brougham	68	65K



Galaxie 500

FOUR DOOR HARDTOPS (5)

	Sales Code No.	Body Code No.
Galaxie 500	56	57F
LTD	64	57H
LTD Pillared Hardtop	63	53H
LTD Brougham	67	57K
LTD Brougham Pillared Hardtop	66	53K



LTD Pillared Hardtop

CONVERTIBLE (1)

	Sales Code No.	Body Code No.
LTD	61	76H



Convertible

STATION WAGONS (7)

	Sales Code No.	Body Code No.
Custom Ranch Wagon (6-Passenger)	70	71B
Custom 500 Ranch Wagon (6-Passenger)	72	71D
Custom 500 Ranch Wagon (DFRS*)	72	71D
Country Sedan (6-Passenger)	74	71F
Country Sedan (DFRS*)	74	71F
Country Squire (6-Passenger)	76	71H
Country Squire (DFRS*)	76	71H

*Dual Facing Rear seats



Country Squire

THE FORD MARKET



LTD TWO-DOOR HARDTOP

The full sized Ford car line accounts for in excess of 40% of all Ford Division sales and nearly 10% of all sales in the United States car market. For 1972, Ford will be available in 19 models in five series—CUSTOM, CUSTOM 500, GALAXIE 500, LTD and LTD BROUGHAM.

Buyers who are interested in the full size car line cannot be classified into a single, all-inclusive group, but rather must be evaluated according to their needs and model preference. Because this car line covers such a large spectrum, from economy, to good value, to all-out luxury, a great deal of care should be taken in fitting the car to the customer.

1972 Ford will continue to be the "QUIET" standard by which the rest of industry is measured. In addition to its unequalled quiet ride, and stylish strong construction, subtle styling and engineering changes have been made to make the entire car line a greater value for all customers, regardless of their buying motivations.

The style leaders for 1972 will again be the elegant LTD and LTD BROUGHAM models. Prospective customers in this market segment are those who want the utmost in luxury and elegant appearance without paying the premium prices of the so-called medium-price field. Both of these series will be available in three basic models—two-door hardtop, four-door hardtop and four-door pillared hardtop, and the standard LTD series will also have a convertible. All LTDs have been upgraded by a distinctive new grille and front bumper as well as a horizontal reflective panel on the lower rear deck. Three new moderately priced glamour colors and the luxurious highback front seats on BROUGHAM models add additional appeal to the discriminating buyer who wants

to personalize his LTD. The ultimate LTD will have the electric sunroof installed for convertible fun, and hardtop safety and styling.

The standard GALAXIE 500 series appeals to the value conscious buyer, who is also interested in the elegant formal look and the roominess of a full size car. The 1972 GALAXIE 500 is a greater value because of the standard Cruise-O-Matic transmission and power steering. The egg-crate style grille and new bumper with grille protector both add to the value and appeal of the 1972 GALAXIE 500. A high quality sound insulation package and the same formal styling give GALAXIE the same image and quality of ride that is present in LTD but at a lower price.

The economy conscious buyer will look to the CUSTOM 500 four-door sedan. This car incorporates many of the features of the GALAXIE 500 but at a price almost everyone can afford. The CUSTOM SEDAN is primarily for the fleet buyer and offers the lowest cost form of transportation in the standard car class.

The industry-leading Ford wagons continue with the features that make them the hottest selling car line in the wagon segment. The three-way magic doorgate, lockable side and underfloor storage compartment, dual facing rear seats, power tailgate window and a new power tailgate door lock option provide wagon buyers the utility and luxury they need for day-to-day transportation or for the convenience and comfort of vacation or recreation driving. Ford wagons have outsold all competitors for the past six years and because of this, Ford has earned its name as the "WAGONMASTER".



LTD BROUGHAM FOUR-DOOR PILLARED HARDTOP

1972 FORD PRODUCT HIGHLIGHTS



EXTERIOR STYLING

In 1972, the Ford carline has undergone subtle styling changes designed to enhance and accentuate its elegant appearance. Both the front and rear end have been refined by sheet metal changes. These refinements begin with a handsome new horizontal egg-crate textured grille in argent and black with bright accents and a new, wide, high chrome-plated front bumper with a distinctive and functional center bar grille protector. This fresh styling is further complemented at the rear with restyled decklids and a new, wide, high chrome plated bumper featuring unique twin bar taillights with inboard backup lights. Each taillight has three bulbs—two combination running and braking bulbs, plus one back-up bulb for added safety and reliability. A new valance panel below the bumper further enhances the rear appearance. Higher level LTD and LTD Brougham styling features include a unique reflective rear center applique between the taillights. Galaxie 500 and Country Sedan models have new bright wheel lip and aluminum rocker panel mouldings. Eight new exterior colors give further glamour to Ford for '72.

(See model series pages for additional information)



INTERIOR STYLING

Colorful, luxurious interior trim combinations and new features further enhance the appearance, comfort and convenience of Ford cars. High back front bench seats featuring a wide, fold-down center armrest and bright side trim for extra luxury and comfort are now standard on all LTD Brougham models.

(See feature pages for additional information.)

SELECTSHIFT CRUISE-O-MATIC TRANSMISSION STANDARD

Ford's popular SelectShift Cruise-O-Matic transmission is included as standard equipment on all 1972 Fords.

This versatile transmission permits the driver to choose his mode of shifting by offering a choice of manual shifting or completely automatic operation. Cruise-O-Matic can be up-shifted or down-shifted at various speeds for excellent driver control in adverse road or weather conditions. New for 1972, are larger, higher capacity automatic transmission coolers to provide additional protection against overheating during heavy-duty usage, such as trailer towing.

(See Page A-21 for additional details)

POWER STEERING STANDARD

Another outstanding value now standard equipment on all Ford cars for 1972 is power steering. Ford's "Better Idea" power steering unit works when it is needed at low speeds for turning or parking, but literally "coasts" without drawing valuable horsepower from the engine when driving at highway speeds.

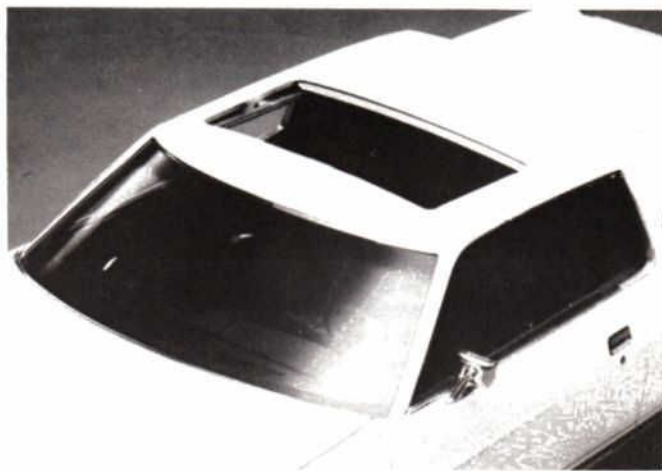
(See Page A-13 for additional information.)

OTHER NEW STANDARD FEATURES

A big new 12-inch wide, high visibility inside rear view mirror will be installed on all full sized Fords in 1972. In addition, there's a new seat belt reminder system (*) which includes a light and buzzer to encourage front seat passengers to buckle-up. A new pin and slot-type bumper jack is also standard—permits faster, simpler, more positive operation.

(See feature pages for additional information)

(*) December, 1971 availability.



NEW OPTIONS

A dramatic new option for 1972 is a power operated sunroof. Available on all Ford cars with an optional vinyl roof, the sunroof option provides the open air advantages of a convertible with the quietness and security against theft or vandalism of a steel top. Three new optional Color-Glow finishes add still more luxury to the Ford look for '72. Additionally, the remote control electric trunk lid release has been made available on all Ford carline models.

The completely new "mini" size AM/FM stereo radio takes up less room behind the instrument panel and is more reliable and powerful. Long wearing steel belted radial ply tires are also available on 1972 Ford cars.

(See options section for additional information.)

FORD CUSTOM AND CUSTOM 500 SERIES



CUSTOM

MODELS

	SALES NUMBER
Custom 4-Door Sedan	51
Custom 500 4-Door Sedan	53

MAJOR STANDARD FEATURES

EXTERIOR

CUSTOM

- Long 121" wheelbase, wide stance . . . front 63.3" . . . rear 64.3" contribute to Ford's famous riding comfort
- Horizontal egg-crate textured grille with outer sections in argent and black
- Grille center section painted light argent
- Bright hood and fender mouldings
- Wide, high chrome-plated front bumper with center bar grille protector
- Ventless side glass, flush door handles
- Parking lights recessed in the front bumper
- Front and rear body color flush side marker lights
- Outside left-hand mirror
- Fully concealed 2-speed electric windshield wipers with washers
- Wide, high chrome-plated rear bumper featuring horizontal twin bar taillights with inboard backup lights and lower valance panel
- Bright metal hub caps

CUSTOM 500 (In addition to or in place of features on the Custom)

- Bright wheel lip mouldings
- Custom 500 script on rear deck lid

INTERIOR

CUSTOM

- All-vinyl seats, front and rear
- All-vinyl door trim panels, color-keyed to the interior
- Seat belts front and rear with Uni-Lock shoulder harness for driver and front seat passenger
- Outboard front (and rear*) seat belts are self adjusting with retractors
- Front seat belt reminder system (*)
- Cockpit type padded instrument panel features instrumentation and controls angled toward driver, two ash trays, cigarette lighter, power ventilation registers, glove compartment lock
- Courtesy light in center of roof
- High-visibility 12-inch wide inside rearview mirror
- Suspended brake and accelerator pedals
- Turn signal with lane changing feature
- Two spoke energy absorbing steering wheel and energy absorbing steering column
- Padded sun visors, left and right
- Bright aluminum door scuff plates

CUSTOM 500 (In addition to or in place of features on the Custom)

- Higher level cloth and vinyl seat trim
- Right hand instrument panel applique with "Custom 500" identification



CUSTOM 500



CUSTOM 500



FUNCTIONAL

- 240 CID 1V 6-cylinder engine
- SelectShift Cruise-O-Matic transmission
- Power steering
- Power ventilation system
- MagicAire heater-defroster with 3-speed blower
- Column mounted anti-theft ignition, steering and transmission lock
- Steel "Guard Rails" side impact protection system
- Reversible keys with one-step keyless locking
- Stainless steel and aluminized muffler
- 22.5 gallon fuel tank refill (approx.)
- F78 x 15 Belted Bias-ply BSW tires

See page A-12 for a complete list of standard equipment.

(*) December, 1971 availability

FORD GALAXIE 500 SERIES



MODELS

- 4-Door Sedan
- 2-Door Hardtop
- 4-Door Hardtop

SALES NUMBER

- 54
- 58
- 56



MAJOR STANDARD FEATURES

EXTERIOR

The Galaxie 500 Series shares many features with the Custom model. Mutual styling features include:

- Horizontal egg-crate textured grille with outer sections in argent and black
- Bright hood and fender mouldings
- Wide, high chrome-plated front bumper with center bar grille protector
- Wide, high chrome-plated rear bumper featuring horizontal twin bar taillights with inboard backup lights and lower valance panel

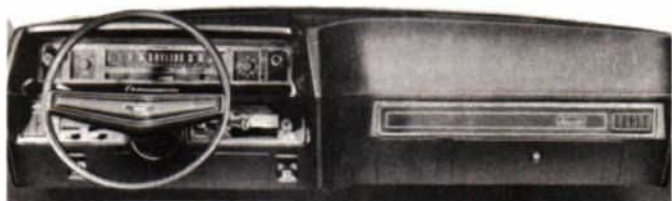
Additional features include:

- Grille center section with bright hood moulding, argent horizontal ribs and center divider
- Bright wheel lip mouldings plus aluminum rocker panel moulding
- Bright drip mouldings on hardtops
- Bright door frame mouldings on 4-door sedans
- Galaxie 500 script on right rear deck lid

INTERIOR

In addition to, or in place of features on the Custom 500:

- Unique higher level cloth and vinyl, color-keyed upholstery
- Woodtone applique around the instrument cluster
- Black paint with bright metal border applique on instrument panel (passenger side)
- Galaxie 500 Script on instrument panel applique



FUNCTIONAL

In addition to, or in place of features on the Custom 500:

- Additional sound-deadening material (see page A-16)

The Galaxie 500 Series shares these features with the Custom 500 model:

- 240 CID 1V 6-cylinder engine
- SelectShift Cruise-O-Matic transmission
- Power steering
- Power ventilation system
- MagicAire heater-defroster with 3-speed blower
- Steel "Guard Rails" side impact protection system
- Reversible keys with one-step keyless locking

See page A-12 for a complete list of standard equipment.

FORD LTD SERIES



MODELS

2-Door Hardtop
4-Door Pillared Hardtop
4-Door Hardtop
Convertible

SALES
NUMBER
62
63
64
61



MAJOR STANDARD FEATURES

EXTERIOR

In addition to or in place of the features on the Galaxie 500 Series:

- "LTD" letters on front of hood and unique vertical crest on left portion of center grille
- Fine textured side grilles in argent and black paint with bright accents
- Unique lower bodyside mouldings with wide ribbed treatment and bright partial wheel lip mouldings
- Unique LTD "C" pillar and rear deck lock cover ornaments
- Rear center reflector applique

CONVERTIBLE

- Power operated, 5-ply vinyl top with solid glass back window, which won't discolor and doesn't require removal to put the top down
- Stretchable top boot, color-keyed to the interior

INTERIOR

In addition to or in place of the features on the Galaxie 500 Series:

- Luxury cloth and vinyl trim, all-vinyl door trim panels with simulated woodtone inserts
- Deluxe steering wheel
- Simulated woodtone applique with bright metal frame on instrument panel (passenger side) . . . "LTD" crest centered on applique
- Self-regulating electric clock (illuminated)
- Glove box, ash tray and luggage compartment lights
- Bright pedal pads
- Bright arm rest base
- Full luggage compartment mat



CONVERTIBLE

- All-vinyl seat trim . . . full-width 3-pass. rear seat
- Two courtesy lights under the instrument panel

FUNCTIONAL

In addition to or in place of features on the Galaxie 500 Series:

- 351 CID 2V V-8 engine, runs on regular fuel
- Power front disc brakes

See page A-12 for a complete list of standard equipment.

LTD BROUGHAM SERIES



MODELS

- 2-Door Hardtop
- 4-Door Pillared Hardtop
- 4-Door Hardtop

SALES NUMBER
68
66
67



MAJOR STANDARD FEATURES

EXTERIOR

The LTD Brougham Series shares many features with the LTD Series. Mutual styling features include:

- "LTD" letters on front of hood and unique vertical crest on left portion of center grille
- Fine textured side grilles in argent and black paint with bright accents
- Unique lower bodyside mouldings with wide ribbed treatment and bright partial wheel lip mouldings
- Rear center reflector applique
- Rear deck lock cover ornament

Additional features include:

- Unique Brougham "C" pillar ornament
- Bright full wheel covers

INTERIOR

In addition to or in place of the features on the LTD Series:

- High-back contoured front bench seat with center arm rest and bright metal seat side shields
- Luxurious deep-pleated, cloth seat trims
- Wall-to-wall cut-pile nylon carpeting
- Door trim panels with simulated woodtone accents, "Brougham" plaque, and carpeting on lower portion of trim panel
- Front door courtesy lights
- Courtesy lights also operated by rear doors

FUNCTIONAL

The LTD Brougham Series incorporates the many features of the LTD Series including:

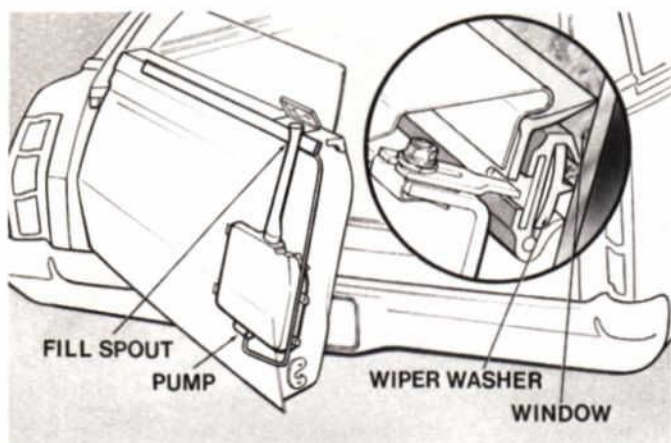
- 351 CID 2V V-8 engine
- SelectShift Cruise-O-Matic transmission
- Power front disc brakes



See page A-12 for a complete list of standard equipment.

FORD STATION WAGON FEATURES

For 1972 Ford continues to be the Wagonmaster of the industry by providing utility, riding comfort, durability, and outstanding features for the wagon buyer. The following pages list some of these features. See the options section for additional items available on Ford Wagons.



STATION WAGON DOORGATE WASHER/WIPER

A handy option that will please the station wagon owner is the doorgate washer/wiper. The washer/wiper mechanism is hidden inside the tailgate door. To operate the washer, the driver lowers the tailgate window and then pushes the window switch to start the washing cycle. When the switch is pushed, a tube fills with washing fluid. Once the switch is released, the window automatically begins to rise. As the window, glass passes the washer tube, fluid is sprayed through tiny holes in the front of the tube onto the glass and the facing edge of the tube wipes the window clean.



LOCKABLE SIDE STORAGE COMPARTMENT WITH CARPETED CARGO AREA

This option features a large compartment in the left rear quarter panel that provides nearly 2-cubic feet of lockable storage space. Included with this option is a foam-backed load floor carpet. The carpet can easily be folded for access to dual facing rear seats on models so equipped.

SQUIRE LUXURY VINYL TRIM

For added luxury in station wagon driving, Ford offers a "Brougham" level luxury trim for Country Squire prospects.



This luxury option features Comfortweave knitted vinyl inserts. Comfortweave lets air circulate through the material and is cooler in the summer and warmer in the winter than conventional vinyl. The door trim panels are also of the Brougham design and feature carpeting on the lower portion for added luxury.



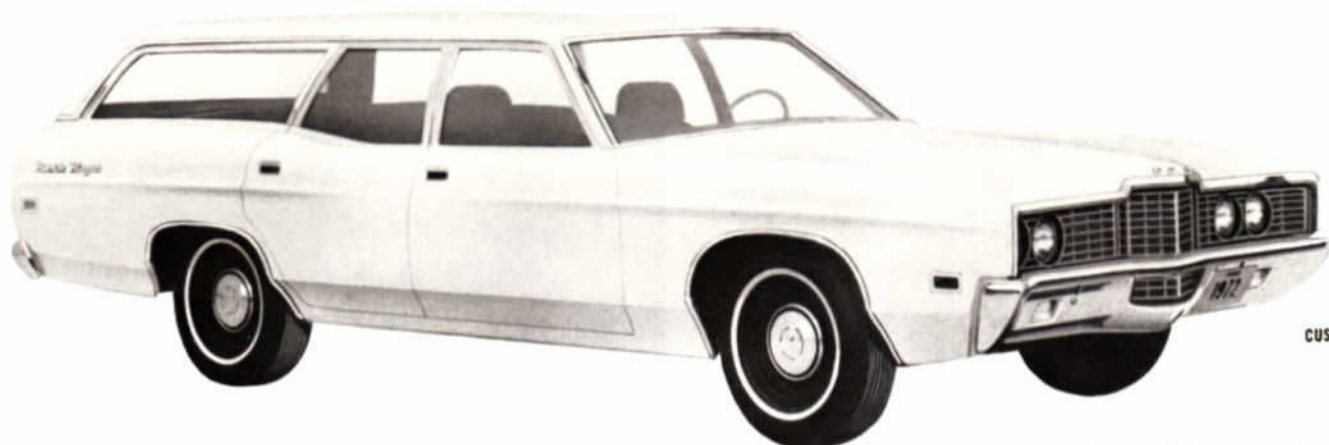
THREE-WAY MAGIC DOORGATE

Ford's famous three-way doorgate is a proven design feature that contributes to Ford's leadership in the wagon industry. The Magic Doorgate folds down like a tailgate or swings open like a door, with the window up or down. A safety interlock system requires that the glass be lowered before the door can be used as a tailgate. A safety lock button prevents accidental opening of the doorgate. When the button is depressed, the door can be opened only with the key or the optional power tailgate lock button. For 1972, the convenient power tailgate lock, which is operated by a button on the driver's door, is available as a separate option as well as being included in the power door lock option for all doors. A power-operated tailgate window is standard on all wagon models.

In the load compartment, one easy motion folds the second seat into the floor and converts the rear compartment to a flat floor. Dual-facing rear seats also fold flat into the floor. An under-the-floor, lockable storage compartment is standard on all wagons.

Load floor panels are textured steel covered with an attractive scuff- and scratch-resistant vinyl-base paint. The station wagon cargo volume is 96.2 cubic feet.

FORD RANCH WAGONS



CUSTOM 500

MODELS

- Custom Ranch Wagon
- Custom 500 Ranch Wagon
- Custom 500 Ranch Wagon
Dual Facing Rear Seats

SALES NUMBER

- 70
- 72
- 72



CUSTOM

MAJOR STANDARD FEATURES CUSTOM RANCH WAGON

In addition to or in place of features on the Custom Sedan, the Custom Ranch Wagon offers:

EXTERIOR

- 221.4" overall length
- Bright "D" pillar moulding
- Bright "FORD" block letters on center of tailgate
- Vertical taillamp design with integral back-up lights
- Bright "Ranch Wagon" script on upper rear quarter panels

INTERIOR

- Fold-down second seat provides a long load floor length of 92.4" with tailgate up . . . 113.8" with tailgate down . . . 96.2 cubic feet of cargo volume
- Load-floor is painted with long-wearing vinyl impregnated paint, color-keyed to the interior
- Lockable storage compartment under load floor . . . adds 9.1 cubic feet of storage space

FUNCTIONAL

- 351 CID 2V V-8 engine, runs on regular fuel
- Famous three-way Magic Doorgate
- Power tailgate window
- Station Wagon suspension (higher rate springs and larger diameter shock absorbers)
- H78 x 15 BSW Bias-ply tires with 6-inch wheel rims (Passenger car models have 5-inch rims)



CUSTOM 500

CUSTOM 500 RANCH WAGON

EXTERIOR

The Custom 500 Ranch Wagons share many features with the Custom Ranch Wagon. Mutual styling features include:

- Horizontal egg-crate textured grille with outer sections in argent and black, center section in light argent
- Bright hood and fender mouldings
- Wide, high chrome-plated front bumper with center bar grille protector

Additional features include:

- Bright "Custom 500" script on lower right tailgate
- Bright wheel lip mouldings

INTERIOR

The Custom 500 Ranch Wagon interior includes the many standard features of the Custom Ranch Wagon interior plus a more attractive all-vinyl seat trim. In addition, Custom 500 buyers can order all-vinyl dual facing rear seats color-keyed to the front seats.

FUNCTIONAL

The Custom 500 Ranch Wagon includes all the functional features as listed for the Custom Ranch Wagon.

See page A-12 for a complete list of standard equipment.



CUSTOM 500

FORD COUNTRY SEDAN AND SQUIRE WAGONS



MODELS

Country Sedan	74
Country Sedan—Dual-Facing Rear Seats	74
Country Squire	76
Country Squire—Dual-Facing Rear Seats	76

SALES NUMBER

74
74
76
76

MAJOR STANDARD FEATURES

COUNTRY SEDAN

EXTERIOR

In addition to or in place of features on the Custom 500 Ranch Wagon:

- Grille center section with bright and argent horizontal ribs and center divider
- Bright wheel lip mouldings plus rolled aluminum rocker panel moulding with front fender extension
- Bright "Country Sedan" on upper rear quarter panels
- Bright door frame mouldings



INTERIOR

In addition to or in place of features on the Custom 500 Ranch Wagon:

- Simulated woodtone applique around the instrument cluster
- Black paint with bright metal border applique on instrument panel (passenger side)
- All vinyl seat trim in a vertical sew pattern

FUNCTIONAL

The Country Sedan includes all the functional features as listed for the Custom Ranch Wagon.

COUNTRY SQUIRE

EXTERIOR

In addition to or in place of features on the Country Sedan models.

- "LTD" letters on front of hood and unique vertical crest on left portion of center grille
- Fine textured side grilles in argent and black paint with bright accents
- Front side marker light located in vertical position in upper front fender extension
- Side rails are vinyl clad aluminum. The simulated wood rails are limed oak in color and grain
- Simulated wood panels are dark walnut colored with mahogany grain
- Bright "Country Squire" on upper rear quarter panels
- Bright "FORD" block letters on lower right of the tailgate . . . "LTD" ornament on the center of the tailgate
- Bright drip mouldings
- Wheel covers



INTERIOR

In addition to or in place of features on the Country Sedan.

- Electric clock in instrument panel (illuminated)
- Luxury all-vinyl interior trim . . . all-vinyl door panels with simulated woodtone inserts
- Glove box light . . . light on the rear window header

FUNCTIONAL

In addition to or in place of features on the Country Sedan.

- Power front disc brakes

See page A-12 for a complete list of standard equipment.

FORD STANDARD EQUIPMENT

In addition to the standard features listed, Ford also includes as standard equipment the many Ford Lifeguard Design Safety Features listed on page ii.

EXTERIOR	Custom	Custom 500	Galaxie 500	Ford LTD	LTD Brougham	Ranch Wagon	Custom 500 R.W.	Country Sedan	Country Squire
GRILLE: Center section in light argent	X	X	—	—	—	X	X	—	—
Center section with bright and argent horizontal ribs and center divider	—	—	X	X	X	—	—	X	X
Fine textured side grilles in argent and black	—	—	—	X	X	—	—	—	X
LIGHTS: Backup, parking, dual headlights, front and rear side markers	X	X	X	X	X	X	X	X	(C)
TAILLIGHTS: Twin Bar (horizontal)	X	X	X	X	X	—	—	—	—
Two (vertical)	—	—	—	—	—	X	X	X	X
MOULDINGS: Bright hood and fender mouldings	X	X	X	X	X	X	X	—	—
Bright wheel lip mouldings	—	X	X	X	X	—	X	X	—
Bright drip mouldings	—	—	(A)	X	X	—	—	—	X
Bright rocker panel mouldings	—	—	X	—	—	—	—	X	—
Bright door frame mouldings	—	—	(B)	—	—	—	—	X	X
Lower side mouldings with wide ribbed treatment	—	—	—	X	X	—	—	—	—
Bright "D" pillar moulding	—	—	—	—	—	X	—	—	—
BRIGHT HUB CAPS	X	X	X	X	—	X	X	X	—
WHEEL COVERS	—	—	—	—	X	—	—	—	X
ORNAMENTATION: Custom 500 Script (on rear deck lid or lower right tailgate)	—	X	—	—	—	—	X	—	—
Galaxie 500 Script on rear deck lid	—	—	X	—	—	—	—	—	—
"LTD" letters on hood and vertical crest on grille	—	—	—	X	X	—	—	—	X
Unique LTD ornament on "C" pillars	—	—	—	X	—	—	—	—	—
Unique LTD deck lock cover and rear reflector applique	—	—	—	X	X	—	—	—	—
Unique Brougham ornament on "C" pillars	—	—	—	—	X	—	—	—	—
Bright "Ranch Wagon" Script on upper rear quarter panels	—	—	—	—	—	X	—	—	—
Bright "Country Sedan" Script on upper rear quarter panels	—	—	—	—	—	—	—	X	—
Vinyl clad aluminum, simulated wood rails with simulated walnut paneling	—	—	—	—	—	—	—	—	X

INTERIOR

SEATS: Seat back locks (all folding seats)	—	—	X	X	X	X	X	X	X
Seats, front, safety padded, energy absorbing backs, conventional bench	X	X	X	X	—	X	X	X	X
Seat front, high back contoured bench with center arm rest	—	—	—	—	X	—	—	—	—
Seat belts: front & rear lap inc. center pass., metal-to-metal type; outboard front (and rear*) belts are self-adjusting & retracting with 3-point shoulder harness	X	X	X	X	X	X	X	X	X
Seat belt reminder system (*)	X	X	X	X	X	X	X	X	X
ENERGY ABSORBING STEERING WHEEL/LOCKABLE STEERING COLUMN.	X	X	X	X	X	X	X	X	X
ARMREST: energy absorbing, safety type; front & rear	X	X	X	X	X	X	X	X	X
ASH TRAYS: Two front (in instrument panel)—one rear, in seat back	X	X	X	X	X	X	X	X	X
Left illuminated	—	—	—	X	X	—	—	—	X
BUZZER, ignition key reminder	X	X	X	X	X	X	X	X	X
CIGARETTE LIGHTER: (in instrument panel)	X	X	X	X	X	X	X	X	X
CLOCK, ELECTRIC, SELF-REGULATING, ILLUMINATED	—	—	—	X	X	—	—	—	X
DOORS: Door checks, front and rear; Door latches, Safety-Yoke type	X	X	X	X	X	X	X	X	X
FLOOR COVERING: carpet, color-keyed, "wall-to-wall" (100% nylon)	X	X	X	X	X	X	X	X	X
Cut pile carpeting	—	—	—	—	X	—	—	—	—
INSTRUMENT PANEL: Cluster, with integrated 2/3 crash pad	X	X	X	X	X	X	X	X	X
Cluster: woodton mask	—	—	X	X	X	—	—	X	X
Bright and argent mask	X	X	—	—	—	X	X	—	—
Glove Compartment: lock	X	X	X	X	X	X	X	X	X
illuminated	—	—	—	X	X	—	—	—	X
Simulated woodtone applique on panel	—	—	X	X	X	—	—	X	X
Black and bright applique	—	—	X	—	—	—	—	X	—
Argent and bright applique	X	X	—	—	—	X	X	—	—
MIRROR, inside rear view, high visibility, 12" wide	X	X	X	X	X	X	X	X	X
LIGHTS: Courtesy, dome (exc. convertible)	X	X	X	X	X	X	X	X	X
Two, under instrument panel	—	—	—	(D)	—	—	—	—	—
On rear window header	—	—	—	—	—	—	—	—	X
Front door	—	—	—	—	X	—	—	—	—
In trunk	—	—	—	X	X	—	—	—	—
STORAGE COMPARTMENT—BELOW FLOOR WITH LOCK	—	—	—	—	—	X	X	X	X
SUN VISORS, PADDED (TWO)	X	X	X	X	X	X	X	X	X
SUSPENDED ACCELERATOR, & BRAKE PEDALS	X	X	X	X	X	X	X	X	X
TURN SIGNALS WITH LANE-CHANGE FEATURE	X	X	X	X	X	X	X	X	X

FUNCTIONAL

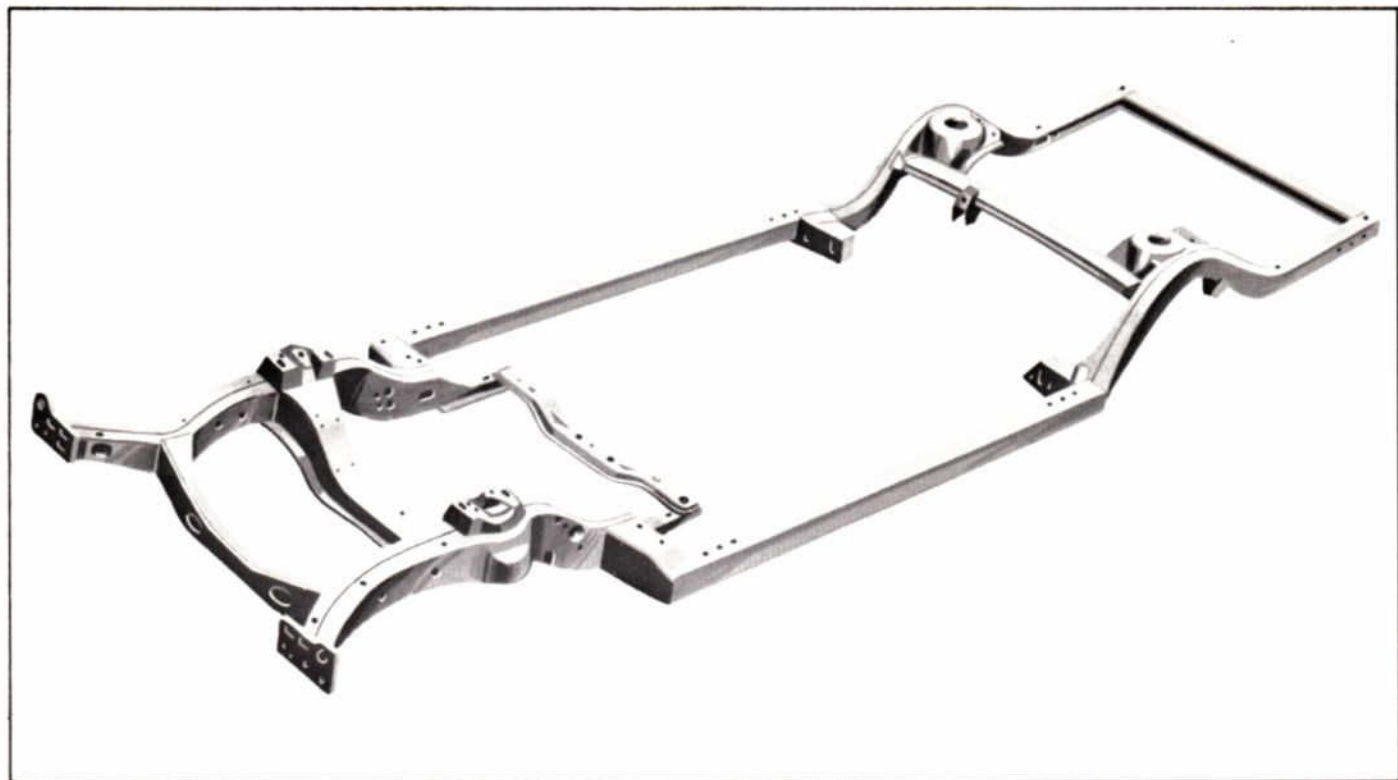
BRAKES: Dual braking system (red warning light on instrument panel)	X	X	X	X	X	X	X	X	X
Parking brake, foot-operated, hand release	X	X	X	X	X	X	X	X	X
Power front disc	—	—	—	X	X	—	—	—	X
DOOR SIDE IMPACT PROTECTION STRUCTURE: (steel "Guard Rails")	X	X	X	X	X	X	X	X	X
ENGINE—240 CID 1V Six	X	X	X	—	—	—	—	—	—
—351 CID 2V V-8	—	—	—	X	X	X	X	X	X
HAZARD FLASHER: Switch on steering column	X	X	X	X	X	X	X	X	X
HEATER-DEFROSTER: MagicAire, blend-air type	X	X	X	X	X	X	X	X	X
MUFFLER: Stainless steel and aluminized components	X	X	X	X	X	X	X	X	X
POWER VENTILATION SYSTEM (non A/C)	X	X	X	X	X	X	X	X	X
STEERING, POWER	X	X	X	X	X	X	X	X	X
TRANSMISSION: SelectShift Cruise-O-Matic (3-speed automatic)	X	X	X	X	X	X	X	X	X
WINDOW, POWER TAILGATE	—	—	—	—	—	—	—	—	X
WINDSHIELD WIPERS, 2-speed electric w/dual-jet washer	X	X	X	X	X	X	X	X	X

(*) December, 1971 availability

(A) Hardtops, (B) 4-Door Sedans, (C) Front side marker lights vertical, (D) Convertible only

FORD FEATURES

CHASSIS FEATURES



FRAME

The Ford torque box frame virtually isolates passengers from road shocks thereby providing a smooth, more comfortable ride. Also, a major safety advance has been achieved by the addition of "S" shape front frame rails which increase the frame's energy-absorbing ability by controlling the rate of collapse in case of impact. Features of this design are:

An outer frame brace which increases angular impact protection and acts as an energy absorbing member.

A front frame crossmember located in a position to increase the effective collapse length and energy-absorbing characteristics of the frame.

Reinforced front torque boxes to help reduce steering column displacement on impact.

A tubular-design number four crossmember to increase strength and reduce transmission of noise and vibration to the body.

Body mounts positioned by Ford's "bridging" principle—ahead of and behind the passengers—to separate the body from the frame and minimize noise and vibration.

STEERING WHEELS

Steering wheels are semi-oval in shape which improves ease of entrance for the driver and, at the same time, provides a better view of the instrument cluster.

The two-spoke wheels have the horn-blowing mechanism hidden in the spokes. Pressure applied on the top surface of the spokes, on either side of the center medallion, makes contact between a pair of metal strip switches under the vinyl covering and causes the horn to blow.

LOCKING STEERING COLUMN

An anti-theft steering column is standard equipment on the 1972 Ford.

The locking mechanism is mounted on the steering column,

within convenient reach of the driver. The ignition switch has five positions: Accessory . . . Lock . . . Off . . . On . . . Start . . . in that sequence. The key cannot be removed unless the switch is moved to the "Lock" position even though the engine is turned off. Before the switch can be moved to "Lock", the transmission lever must be positioned in "Park" on automatic transmission-equipped cars and in reverse on manual transmission-equipped cars.

POWER STEERING

Power steering is standard on all models of the 1972 Ford carline. The exclusive Ford Motor Company "Better Idea" power steering pump with "fluidic control" works when it is needed at low speeds for turning or parking, while at highway speeds, the pump literally "coasts" without drawing valuable horsepower from the engine. Integral with the "Magic-Circle" steering gear, other features of this unit include:

An integral control valve and steering gear design provides instant response to wheel movement.

A built-in low-restriction control valve allows the wheels to return to center position after making a turn.

A torsion bar element in the steering shaft provides driver "feel" of road.

An overall steering ratio of 21.8:1 provides fast, responsive steering.

See page A-25 for steering specifications.



TIRES

All tires furnished on the 1972 Fords as standard equipment are belted bias-ply BSW's. The .78 aspect ratio design helps to improve traction and cornering by placing more tire surface in contact with the road. See page A-24 for tire specifications.

FORD FEATURES

WHEELS

All Ford wheels are of stamped steel construction with a ventilated disc welded to a safety-type rim. Five large retaining nuts plus a centering pilot automatically center the wheel on the hub.

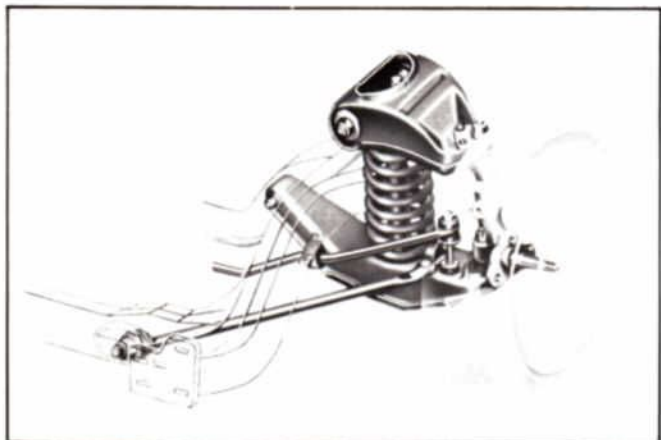
See page A-25 for wheel specifications.

FRONT SUSPENSION

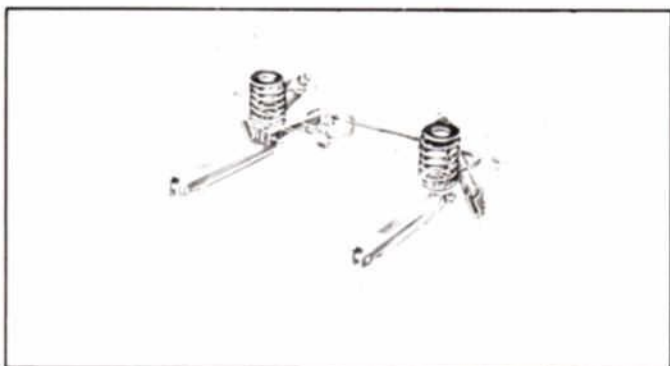
Ford uses a short and long arm ball joint front suspension. Springs and shock absorbers are calibrated to match the weight/ride requirements of each application, depending on the car model, engine and optional equipment. Front suspension features include:

Left and right drag struts stabilize the lower arms and are attached to the frame through rubber bushings to eliminate metal-to-metal contact. The compliant rubber bushings reduce the amount of vibration and noise transmitted to the passenger area and allow the wheels to move slightly toward the rear when hitting a bump. This controlled rear movement soaks up part of the initial road shock before it reaches the passenger area.

A link-type, rubber-bushed stabilizer bar connecting the right- and left-hand lower suspension arms to help prevent excessive lean when cornering.

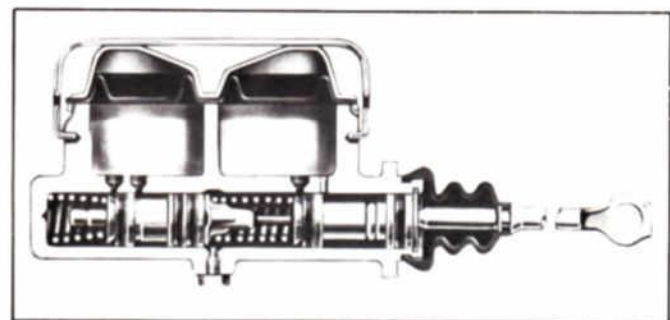


- Coil springs which ride in deep, rubber-bushed caps in the frame and are seated on the axle
- Shock absorbers mounted at an angle to help provide additional side stability and control



SHOCK ABSORBERS

The 1972 Fords incorporate "compression resistance" shock absorbers. The addition of a compression valve assembly to the piston increases resistance to fluid flow and improves compression lag. This minimizes "jerk" motions and lowers shake and harshness levels. Consistency of operation under varying temperatures and improved durability are main features of this design.



FORD SUSPENSION SPECIFICATIONS

FRONT

Type.....Independent with Ball Joints and Drag Strut Springs*.....Helical Coil, Rubber-Isolated Shock Absorbers*...Hydraulic, Telescopic, Vertical Mount Stabilizer.....Link Type, Rubber-Bushed Steering Knuckle....Integral Spindle and Spindle Support Wheel Bearings.....Opposed Taper Rollers

REAR

Type.....Three-Link, Rubber-Cushioned Springs*...Helical Coil, Rubber-Isolated, Top and Bottom Shock Absorbers*...Hydraulic, Telescopic, Angle Mount Track Bar.....Rubber-Isolated

*Heavy-duty springs and shock absorbers standard equipment on Station Wagon models.

REAR SUSPENSION

The 1972 Ford uses a coil spring type rear suspension which includes a track bar between the axle housing and the frame. Like the front suspension, this system features rubber bushings at all pivot points to help eliminate noise and vibration. Features of the system include:

- Three longitudinal arms to control the position of the rear axle assembly and absorb braking and acceleration forces
- A track bar to control side-to-side movement of the axle and reduce car sway

BRAKE SYSTEM

All Ford models use a dual hydraulic brake system with dual-chamber master cylinders. Important features of the system are:

Each cylinder chamber independent of the other with its own fluid reservoir and pumping section.

Separate connections for the brake lines which link one cylinder to the front brakes and the other to the rear and provide operation of one system in the event of hydraulic pressure loss in the other line.

A light mounted in the instrument panel set to indicate a loss of hydraulic pressure in either brake line when brakes are applied.

Immediate servicing of brake system is required if brake warning light comes on.

See page A-25 for brake specifications.

MANUAL BRAKES

Ford manual brakes are self-energizing, single anchor, internal expanding drum-type on all four wheels. All standard brakes incorporated self-adjusters, which maintain proper adjustment. Self-adjustment of the brakes is accomplished each time the brake is applied when the car is moving in reverse. Brake application under these conditions actuates the "star" wheel on the adjustment screw to keep the brakes in constant adjustment with greater accuracy than if done by hand. The self-adjusting feature assures satisfactory brake pedal height for easier brake application. The brakes are sealed against dirt and water entry by a curved edge on the brake backing plate which mates with a groove in the brake drum.

FORD FEATURES

POWER FRONT DISC BRAKES

Ford's floating caliper power front disc brake substitutes one large wheel cylinder, located in the disc brake caliper, for four small wheel cylinders and results in a more reliable, simplified design. By reducing the number of moving parts, the reliability of the end product and the leakage resistance of the hydraulic system has been increased.

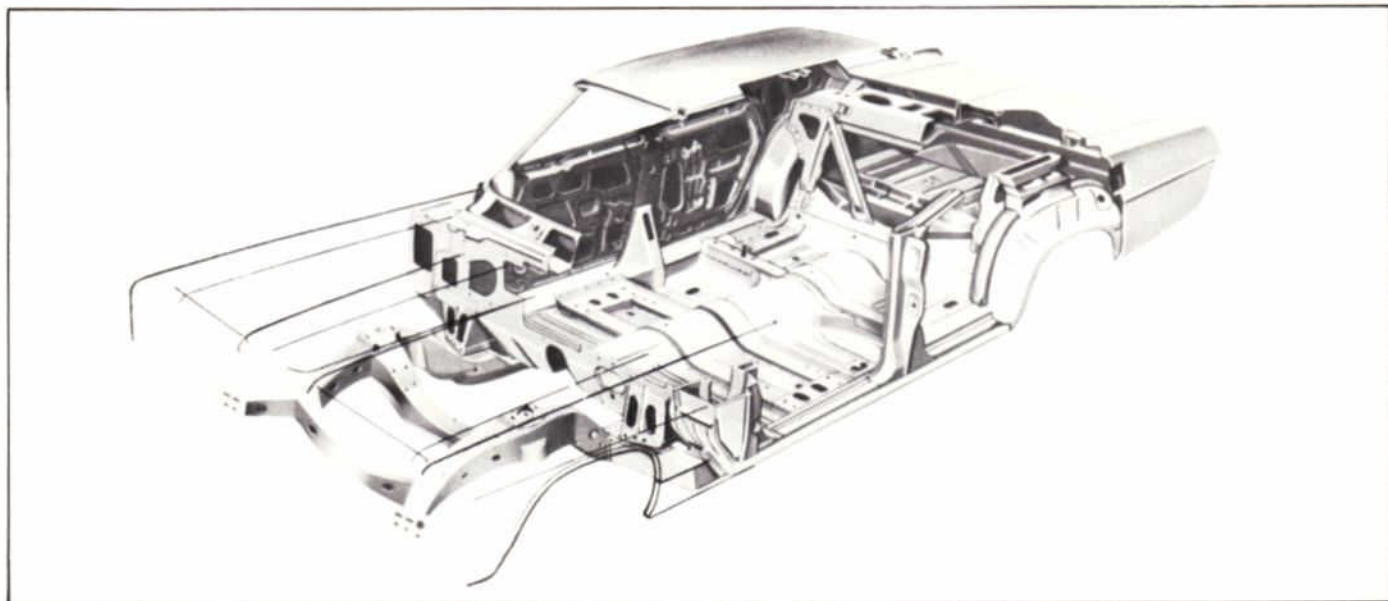
The functioning of the floating caliper disc brake is essentially the same as any other disc brake in that braking effort is applied by squeezing the rotor, or disc, which turns with the road wheel between two movable shoe and lining assemblies.

The braking torque is absorbed by the shoe and trans-

ferred to the chassis via the brake anchor plate. One basic difference between the floating caliper and other types is that instead of both the inboard and outboard shoe and lining assemblies being simultaneously applied, the hydraulic pressure first actuates the inner shoe and lining assembly and the reaction to this force actuates the outboard shoe and lining assembly. Standard on all LTDs and Country Squires.



BODY FEATURES



BODY CONSTRUCTION

The 1972 Ford bodies and the unique torque box frames are designed to work together to reduce road shock, noise and vibration and prevent their being transmitted to the passenger compartment. Features that help make Ford bodies quieter and stronger are:

A rigid body construction coupled with the compliant mounting to the torque box frame results in maximum insulation of the passengers from noise, vibration and harshness.

Heavy sheet metal crossmembers in front seat and rear sill areas and stamped-in stiffeners add strength to the floor panel.

A reinforced, double-panel construction rocker panel which is further strengthened by a U-channel section acts as a secondary frame support to the body.

Cowl ventilation air inlets at the top sides—directly below the windshield permit structural continuity to be built into the cowl top and down the side pillars.

All center pillars are manufactured from heavy gauge steel.

Additional body reinforcements in the convertible and station wagon bodies provide added rigidity.

BODY MOUNTS

Ford's rubber body mounts isolate the passenger compartment from the frame by eliminating metal-to-metal contact of the body and frame. The tapered design of the mounts tune out road vibrations and provide a quieter ride.

RUST PREVENTION

All vital underbody parts of the 1972 Ford have been specially processed for resistance to the corrosive action of mud, water and road salt. Interior surfaces of the door panels, wheel splash areas and fenders have been coated with a zinc-rich primer.

Rocker panels are made of zinc-clad steel and have one-way drain valves to inhibit moisture accumulation. Separate front wheelhousing panels help protect the fender areas.

Exterior trim moldings are made of corrosion-resistant metal and are fastened to the car with plastic retainers or adhesives which eliminate drilled holes and possible rust areas.

SIX STEP PAINT PROCESS

Ford's super diamond lustre paint finish is achieved through a six step process. Before the triple coats of enamel are applied, the body receives all-over rust protection. Following the cleaning operation of the phosphate coating, two coats of tough epoxy primer are applied. Each primer application is followed by wet-sanding.

The 3-coat acrylic super enamel is baked-on to form a protective cover over the body sheet-metal while providing the deep-lustre beauty of baked-enamel finish.

Phosphate Coating
First Primer—Epoxy
Second Primer—Epoxy
First Finish Coat
Second Finish Coat
Final Finish Coat ("Electrostatic" Painting)

FORD FEATURES

The final coat of paint on all Fords is applied by ELECTROSTATIC PAINTING, a system that produces a better, more uniform paint finish. The system features a special paint gun that works on the principal that opposite electrical charges attract each other; i.e., positive charged particles attract negative ones. An electrode, extending through the barrel of the paint gun, is maintained at a negative potential of 60,000 volts with respect to the area to be painted. The tip of the electrode is located so that air atomized paint particles pass through charged air particles and pick up a strong negative charge. The paint particles are propelled to the body surface by air pressure. As the paint particles near the surface, the electrostatic forces become great enough so that many of those paint particles normally blown past by the air stream are returned to the body surface. The principal advantage of electrostatic painting is the "wrap-around" effect. When painting next to an edge, such as on a deck lid, hood, or door, the paint particles actually will wrap around and paint the backside due to the strong electrostatic attraction.

BODY SEALING MATERIAL

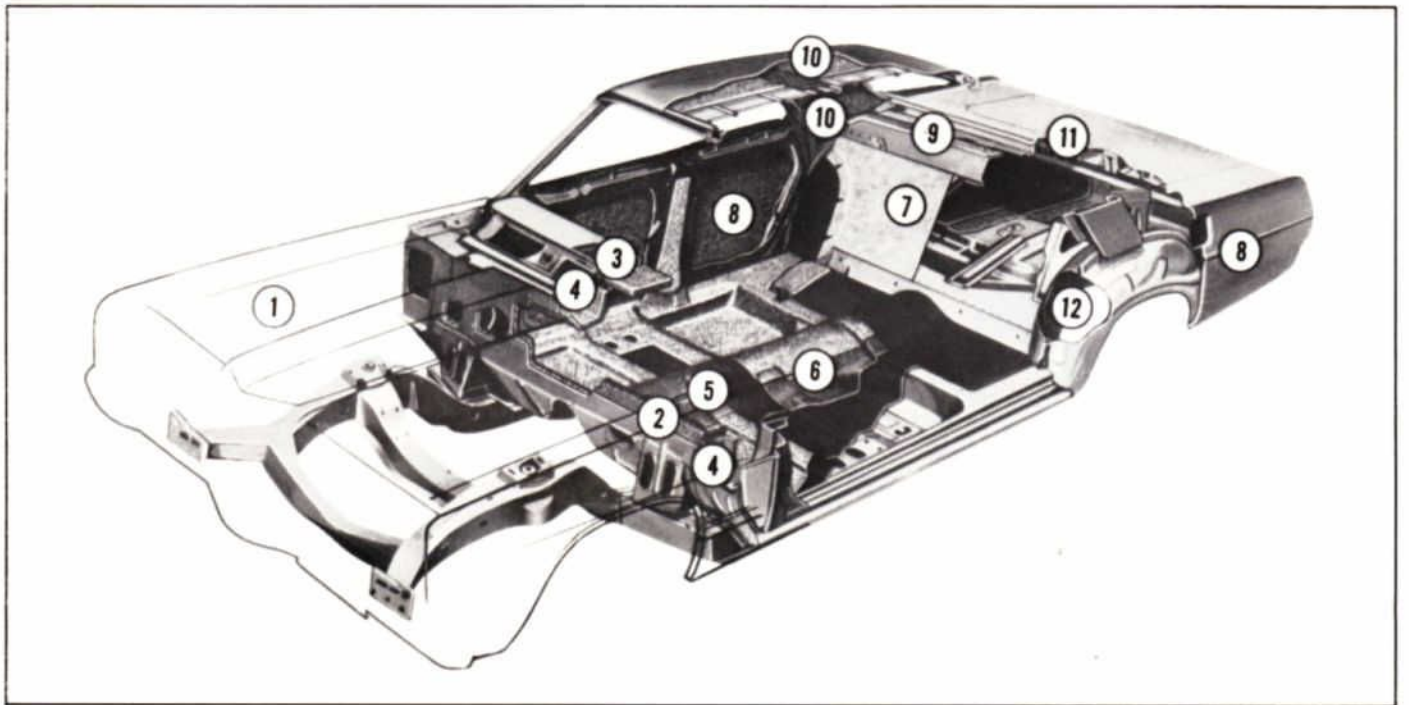
Joint sealers and special anti-squeak and sealing devices are used in the 1972 Fords for a comfortable, quiet ride. Special sealing features include:

Special plastic sealing material applied to exposed spot-welded body panel seams and joints. Vinyl plastic sealer used at the drip rails and rear deck trough.

Windshields and hardtop backlites sealed with butyl tape. (A special non-drying plastic seals the backlites of sedans.)

Special pads, grommets, seals and plug buttons are used to guard against water, dust and drafts.

Heat-curing sealer applied to all other panel seams and joints.



BODY INSULATION

Ford's exceptionally quiet ride is, in part, the result of its use of specially-selected and engineered materials which surround the passenger compartment and form a barrier against external noise and temperature extremes.

- (1) Mastic adhesive is spotted between the inner and outer panels of the hood. Galaxie 500 and LTD models use a fiberglass sound absorber.
- (2) The dash panel is covered with a one-inch-thick, vinyl-coated, textile-fiber pad.
- (3) The lower center portion of the instrument panel has a one-inch-thick textile pad.
- (4) The cowl is covered with a one-half-inch textile-fiber pad.
- (5) A molded assembly of carpeting, jute and a textile, fiber pad cover the front floor area. On Galaxie 500 and LTD models, a heavy mastic deadener extends from the toe-board to under the front seats.
- (6) A molded assembly of carpeting and jute is used in the rear floor area. Galaxie 500 and LTD models use an additional mastic under the carpet assembly and the rear seat.
- (7) The panel between the rear seat back and the luggage compartment is covered with a mastic board, plus a fiber pad on LTD models.

- (8) A sound-absorbing coating is sprayed on the inner surface of the outer door quarter panels.
- (9) Textile-fiber padding covers the full width under the package tray cover. Mastic and padding are used on LTD models.
- (10) The underside of the roof and the inside of the roof pillars, except wagons and convertibles, are covered with a textile-fiber pad.
- (11) Sound deadener is sprayed on the underside of the luggage compartment floor. A mastic adhesive is applied to the inside of the deck lid.
- (12) Tire splash areas of the rear wheelhousings are sprayed with a sound deadener. Station wagon models also have an asphalt-felt deadener covering the inside surface of the wheelhousing, mastic and aluminium foil over the load floor, and an insulation pad next to the dual-facing seats.

HEATING

Ford's Magic-Aire heater and defroster has a large heater core designed to provide fast warm-up and more efficient defrosting.

FORD FEATURES

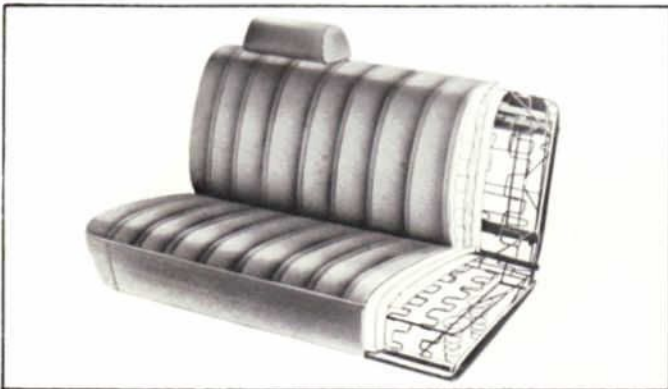
A powerful three-speed blower supplements the heating system. Its motor is located outside the passenger compartment for quieter operation.

POWER VENTILATION

A Power Ventilation System is standard on all 1972 non-A/C equipped Fords. This feature includes two registers on the instrument panel. When the operator places the heater control selector in the vent position and turns on the fan, outside air is forced into the passenger compartment through the two instrument panel registers and circulates through the interior of the car providing fresh air with the windows up. An important advantage over some competitive systems is that it can be turned off with the engine running. The system utilizes air outlet openings beneath the rear seat which allows air to flow back into the trunk compartment then back through the inner body quarter panels and out through a pressure relief valve in



the door lock pillar. The design of the valve is "one way" to prevent reverse flow of the air back into the passenger compartment. The power ventilation system is on a demand basis and will not operate unless the driver initiates the action noted above.



SEATS

Bench seats are standard for all Ford models. The seat frame members are of a box section and channel design.

Main springs are pre-formed for comfortable support over the entire cushion and seat back. Front seat cushions are 2½" thick molded urethane for extra seating comfort. A heavy burlap pad covers the springs and protects the thick foam padding.

Front seat tracks are arched to change the angle of the seat-back as the seat is adjusted forward or rearward.

For 1972, all LTD Brougham models include contoured high back bench seats as standard equipment. Previously standard only on two-door models, these luxurious front seats feature backs nearly eight inches higher than regular seats to eliminate the need for separate head restraints. Also included in a wide, plush, pull-down center arm rest for extra convenience and comfort.

"UNI-LOCK" SAFETY HARNESS

The 1972 Fords include a "Uni-Lock" three-point safety harness for the outboard front seat passengers on all models except the LTD Convertible. This design eliminates the two shoulder harness buckles on the seat and permits easier and faster "buckle up." During use, the driver or outboard front seat passenger pulls the belt out of the

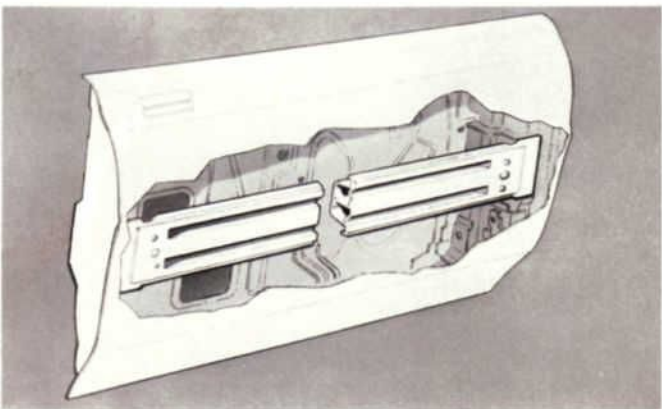


retractor and "snaps" it into the buckle—the lap belt length is automatically maintained by the retractor. The shoulder belt is then attached to the lap belt buckle and adjusted as necessary. Once used together, the two belts do not have to be disconnected; they will retract as a single unit and re-buckle as a unit with a single motion.

All 1972 Ford cars include seat belt retractors at the front (and rear*) outboard seating positions. In the front, the retractors form part of the seat belt reminder system. In the rear, the retractors are hidden below the seat and a belt guide is located between the seat and trim panel.

SEAT BELT REMINDER SYSTEM

New for 1972 is a positive front seat belt reminder system.* This system includes a light and buzzer mounted in the instrument panel which are activated by sensors if an attempt is made to drive the car without the driver and front seat passenger (if aboard) first fastening their seat belts. The light and buzzer operate when the ignition switch is in the "On" position, the transmission is in any forward or reverse position and the driver's belt is not extended the distance normally used for fastening. If the right outboard seat is occupied, a switch in the seat also activates the system until the passenger seat belt is pulled out the specified distance. When the belt or belts are extended, the light and buzzer go off, and will remain off unless the belts are retracted.



DOORS

Every 1972 Ford features a steel "Guard Rail" side impact protection system. The rugged steel "Guard Rail" combines with extra strong door hinges and latches and is designed to help provide better distribution of forces for greater protection in the event of side impact. The steel

(* December, 1971 availability.)

FORD FEATURES

"Guard Rail" consists of a flat ribbed outer strainer, an inner hat section reinforcement and a "Z" section brace weighing approximately 32 pounds in total on four-door models and 20 pounds in total on two-door models.

The door hinges and door latches are extra strong to provide retention during impact. All doors incorporate door checks to hold the doors in the full open position. Door checks used on the front doors provide an intermediate position to aid entry and exit when parked in close quarters. Compression type weather sealing provides a tight seal and low resistance to door closing. A specially designed door latch is concealed within the doors and utilizes a "double-latch" concept with heavy-duty overlapping jaws resulting in a rugged door latching mechanism. A "round pin" striker with a polyurethane sleeve provides quieter door closing.

DOOR HANDLES

Ford's exterior handles are pull-out type, mounted flush with the door surface. They are encased in a bright metal frame.

One step locking is standard on all side doors. The doors may be locked from the outside by simply depressing the inside door lock control knob, and then closing the door. With the incorporation of the outside flush door handles, the need to depress a push-button for locking is no longer required.

The inside door handle is formed as an integral part of the armrest. The handle is a "paddle-shape" and actuates the door latch when pulled outward with the fingertips. The design provides protection against accidental opening by passengers.



CONCEALED WINDSHIELD WIPERS

Concealed windshield wipers are standard on the 1972 Ford. The hood panel extends rearward and upward to cover the wiper blades and arms in the parked position. The bottom edge of the windshield extends downward for wiper blade parking.

The left wiper arm is articulated to improve the wiper pattern. The wipers are driven by a powerful two-speed electric motor.

INSIDE MIRROR

For 1972, a big 12-inch wide inside rearview mirror is standard on full-size Ford models for greater rearward visibility.

WINDOWS

All models feature ventless side glass with a tube-in-shoe system used to position the windows. All windows, except windshields and convertible backlites, are high-strength, impact-resistant, heat-tempered glass.

Windshields use two sheets of glass, heat laminated with a 30-mil-thick plastic laminate.

The convertible glass backlite is scratch and fade resistant. It is chemically tempered to provide a bending quality and permit lowering the top without removing the window.

HEADLIGHT ADJUSTMENT

Ford headlights are all adjustable through screwdriver access holes without having to remove frames or bezels providing for easier, less troublesome adjustment.

SIDE MARKER LIGHTS

Amber lights on the front, and a red light on each rear quarter extension provide side identification for dusk and nighttime driving. These front and rear side marker lights are standard on all Ford models.

LUGGAGE COMPARTMENT

Sedan and hardtop models have 18.2 cubic feet of luggage compartment storage. A "three-point" spare-tire holddown is used to wedge the spare tire to the trunk floor and hold it securely in position. Trim panels are used on the LTD models to seal off the rear fender interior panels. Other models use a "spackle" finish on the interior fender panels.



BUMPER JACK

New on 1972 Ford models is a new pin and slot bumper jack. This design has a flat pin integral with the ratchet mechanism which fits into slots pierced in the bumper for faster, simpler, more positive operation—eliminates the need for the extra hook which most other bumper jacks have, to connect the ratchet mechanism to the bottom of the bumper.

CONVERTIBLE REAR SEAT

The top mechanism stacking system design positions the linkage alongside the rear seat to provide an additional ten inches of seating space over most convertibles for "three-people-wide" comfort.

FORD OPTIONS



SELECTAIRE AIR CONDITIONER WITH AUTOMATIC TEMPERATURE CONTROL

Ford's SelectAire air conditioning unit, including controls, is fully integrated into the instrument panel and provides temperature and humidity controlled comfort with all windows closed.

As an added option, Ford offers a SelectAire unit with an automatic temperature control system. The operator selects the desired temperature for the interior of the vehicle and either the high or low blower speed. The system will automatically adjust to the desired interior temperature, summer or winter. During winter operation, the system will not start to function until the engine water temperature has reached 125 degrees. This means the heater blower will not function until warm air is available. The controls also provide for a "defog"—"deice" selection.



SPLIT HIGH-BACK BENCH SEAT W/RECLINING PASSENGER SEAT

Available only on the LTD Brougham, this luxury option provides the ultimate in seating comfort. The seats are individually adjustable with a fold-down center armrest for each seat. The passenger seat back is adjustable to any desired position to provide a comfortable reclining position for the front seat passenger.

"MINI" SIZE AM/FM STEREO RADIO

New "mini" size AM/FM stereo radio option is more powerful, more reliable and takes up less space behind the instrument panel than previous units. The all-new transistorized circuitry has fewer parts and increased sensitivity with power output increased from three watts to four watts for greater range and clarity of reception.

CORNERING LIGHTS

Available with all LTD models (except Country Squire), the cornering light is designed for safer turning of corners. The light is integral with the side marker light and casts a beam to the front and side when cornering. The light is

activated with the turn signal lever and remains on until the turn signal lever returns to its center position.

POWER TRUNK LID RELEASE

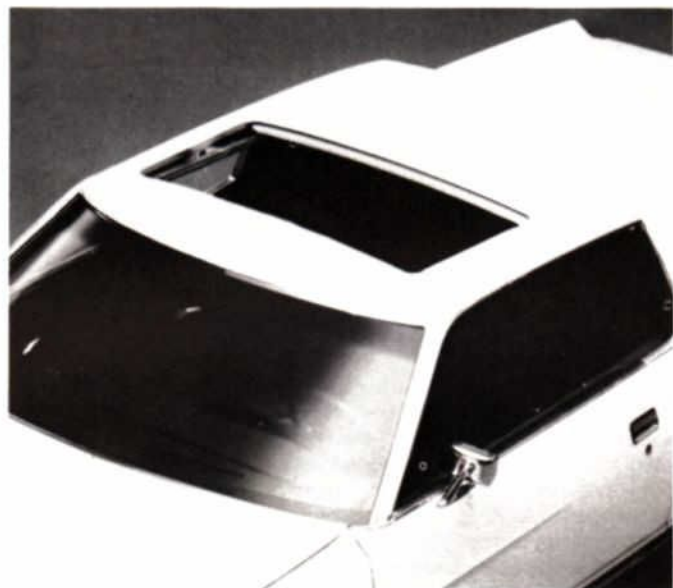
This new Ford car option consists of a switch in the lockable glove box which is wired to a solenoid in the luggage compartment. When the switch is activated, the solenoid releases the trunk lock and the lid swings up automatically. The switch will not function when the ignition is in the off position.

COLOR-GLOW FINISHES

Three new optional "Color-Glow" metallic finishes are available on the 1972 Ford in Ivy Glow, Gold Glow and Ginger Glow which create the illusion of extra depth due to the control and size of the aluminum particles in the special paint formula. The clarity and transparency of the highly durable surface also contributes to the distinctive characteristics of these glamorous new finishes.

INTERMITTENT WINDSHIELD WIPERS

In addition to the standard two-speed constant sweep wipers, this convenient option permits adjustable intervals between sweeps. Ideal to help prevent the streaking commonly experienced from road splatter and in light rain or snow.



POWER OPERATED SUNROOF

A new power operated sunroof, located over the front compartment, is available on all Ford models with the optional vinyl roof and provides the open-air advantages of a convertible and the styling and security of a hardtop. Measuring approximately 39" x 21", the sunroof is powered by an electric motor which is actuated by a fingertip control in the roof and slides back out of sight above the headliner. When closed, the sunroof matches the roofline and seals tightly in position, keeping the weather and noise outside.

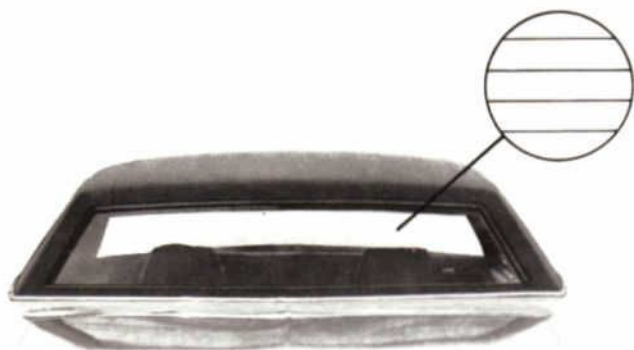
FINGERTIP SPEED CONTROL

The fingertip speed control regulates the speed automatically and maintains a set speed at a desired level, until reset or turned off.

The controls are conveniently located in the spokes of the deluxe two-spoke steering wheel. When in the "On" position, the speed control can be set to maintain any speed from 30 to 80 mph by attaining that speed and pressing the "Set" button on the right side of the steering wheel.

FORD OPTIONS

The system is deactivated (1) by brake application, (2) if the car slows approximately 10 mph below the set speed, (3) by the speed control on/off switch or (4) by the ignition switch. The system will not operate below 30 mph or above 80 mph. The speed control option includes the "rim-blow" steering wheel, a switch built into the inner rim of the steering wheel, activates the horn when pressed. The "rim-blow" steering wheel is also offered as a separate option.



REAR WINDOW ELECTRIC DEFROST

This "Better Idea" helps keep the backlite frost-free and will remove snow and frost, and up to 1/8 inch of ice in minutes. The heating unit consists of a silver-filled, ceramic, high-resistance printed electrical circuit, silk-screened onto the inside of the backlite. While visible as a series of 1/32-inch wide horizontal lines across the backlite, the unit does not interfere with the driver's rear vision due to wide spacing between lines. A switch for operating the unit is integrated with the heater controls on the instrument panel. The option includes a "reminder" light indicating when the unit is "on", a 55-amp alternator and tinted backlite.

"TRACTION-LOK" DIFFERENTIAL AXLE

Well suited to both the suburban and performance driver, the "Traction-Lok" system provides maximum accelerating power by locking the rear wheels together under high torque. This differential provides extra traction on ice, mud or snow. It offers better performance and increased life expectancy compared to other systems, primarily due to a decrease in fixed load, and improved clutch and special gear design. See additional information in the Power Teams Section.

PLAID SEAT TRIM FOR WAGONS

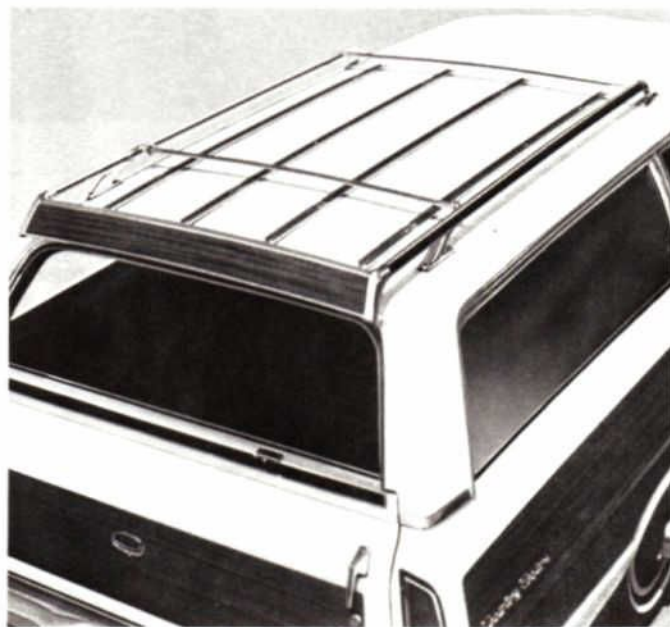
This attractive black watch plaid (green/black) cloth-trimmed seat option is available on Country Sedan or Country Squire Station Wagons, first and second seats only. Dual facing rear seats have color-keyed vinyl, on models so equipped.

AUTOMATIC SEAT BACK RELEASE

This option, available on all 2-door models, automatically releases both front seat back latches when either door is opened to facilitate entry into the rear seat, especially when carrying packages. The latch release is triggered by a plunger-type switch located in the "A" pillar which activates a solenoid located in the seat back. A manual release is also provided in the event of an electrical failure or other malfunction.

DELUXE LUGGAGE RACK

The deluxe luggage rack has simulated woodtone trim with adjustable end rails which adapt to different size loads for secure roof-top station wagon hauling.



The luggage rack includes a built-in air deflector which directs an air stream over the rear window to help reduce dirt deposits.

TRAILER TOWING PACKAGES

In answer to many requests from the fast-growing recreation market, Ford offers two trailer towing packages for 1972. A Medium-Duty package for Class II (up to 500 pounds static tongue load, 3500 pound trailer weight) and a Heavy-Duty package for Class III (up to 700 pounds static tongue load, 6000 pounds trailer weight).

The Medium-Duty package includes heavy-duty suspension (heavy-duty front and rear springs and shock absorbers), extra cooling package (three rows of radiator cooling tubes in place of the regular two rows to provide additional engine and transmission cooling), trailer towing decal and wiring harness. The wiring harness includes wires to accommodate stop lamps, electric brakes, right and left-hand turn signals, and taillamps. (It does not include a hot line for a "water pump" or other electrical appliances).

The Heavy-Duty package includes all the features listed for the Medium-Duty package plus; heavy-duty 80 amp. hr. battery, heavy-duty 55 amp. alternator, 6 1/2 inch wheel rims, 3.25 to 1 axle ratio, and heavy-duty frame. The heavy-duty frame includes boxed-in side rails to greatly stiffen the midsection and a boxed-in rear crossmember designed to accept equalizing hitches. (Standard frame is not boxed in.)

Both trailer towing packages require the 400 CID 2V or 429 CID 4V 8-cylinder engine, power front disc brakes and H78x15 belted tires at extra cost. (Power front disc brakes are standard on LTD, Brougham and Squire models, H78x15 tires are standard on all Station Wagons.) Note: See Trailer Towing Statement, page iii.

FORD OPTIONS



AUTOMATIC LOAD ADJUSTER

The automatic load adjuster is recommended for customers who haul heavy loads. It is designed to correct the car level attitude regardless of the load (up to rated capacity). The option consists of a vacuum driven air pump, a leveling valve with time delay operation and an air shock

absorber system. When vehicle loads are increased so that they affect car level attitude by as little as $\frac{1}{2}$ ", the pump automatically increases air pressure in the cylinders to restore the car to design height. The time delay feature of the leveling valve prevents operation of the automatic load adjuster during temporary changes of load.



BASE WHEEL COVER

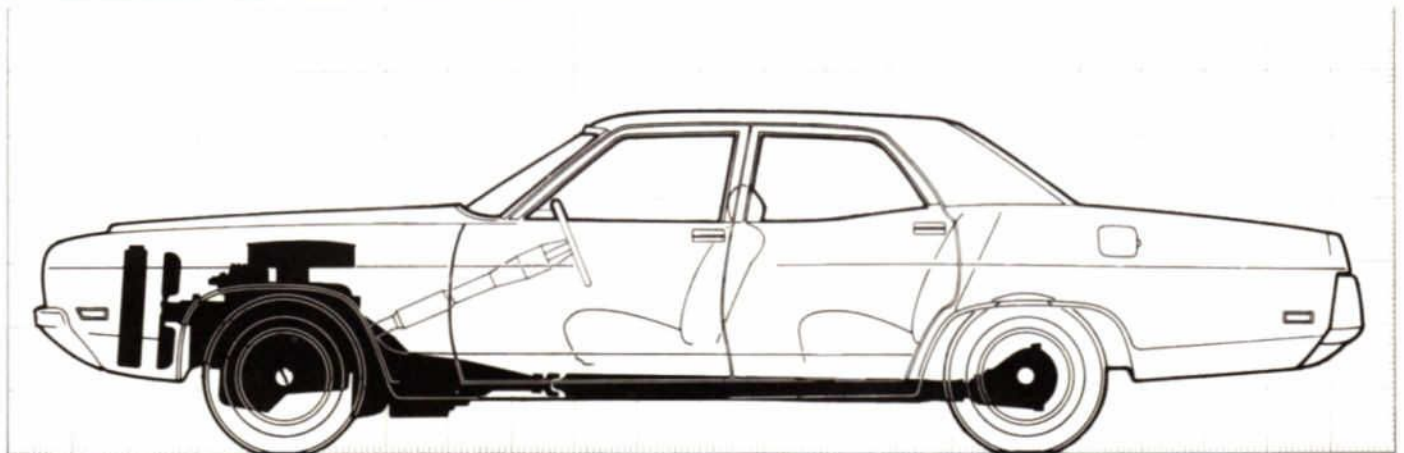
These rust-resistant full wheel covers are standard on LTD Brougham and Country Squire models. They are optional on all other models.



DELUXE WHEEL COVER

This luxurious wheel cover is optional on all models.

FORD PERFORMANCE



FORD PERFORMANCE

The addition of the versatile Cruise-O-Matic automatic transmission as standard equipment headlines Ford's performance features for 1972. There is a choice of five engines and two rear axle ratios plus an optional "Traction-Lok" differential—available in combinations to suit virtually all driving requirements.

ENGINES

All Custom, Custom 500 and Galaxie 500 models feature Ford's rugged 240 CID six-cylinder engine as standard equipment.

The 351 CID 2V V-8 is standard in all LTD, LTD Brougham, Station Wagon models and all California units. It is also the base V-8 on Galaxie 500 models and available as an option in either the Custom or Custom 500. It is extremely compact, lightweight and provides excellent performance.

Other optional engines for 1972 include a 302 CID 2V V-8 (base V-8 for the Custom and Custom 500 sedans), a 400 CID 2V V-8 and a 429 CID 4V V-8.

All 1972 engines are designed to operate on regular gasoline with octane rating of at least 91 when the engine is adjusted to factory recommended specifications.

TRANSMISSION

For 1972, the popular SelectShift Cruise-O-Matic transmission is standard on all Ford models and offers a choice of manual shifting or completely automatic operation. The Cruise-O-Matic can be up-shifted or down-shifted at various speeds for excellent driver control in adverse road or weather conditions. New for 1972, are larger, higher capacity automatic transmission coolers to provide additional protection against overheating during heavy-duty usage, such as trailer towing. With 400 CID and 429 CID V-8's, the automatic transmission coolers are 10 inches long with larger diameter than previously used. Smaller V-8 engines have new 8-inch long cooler—2 inches longer than former unit for greater cooling capacity. (Refer to Power Teams section for more information.)

MANEUVERABILITY

Ford's long, 121-inch wheelbase and wide, 63.3-inch front and 64.3-inch rear track and road-hugging suspension are designed to give a remarkable degree of riding comfort and command in handling, while maintaining a turning diameter (41.9 feet) and maneuverability that is comparable to shorter wheelbase cars and so essential on today's roads and highways.

FORD OPTIONS AVAILABILITY

DESCRIPTION	AVAILABILITY*		DESCRIPTION	AVAILABILITY*	
	R P O	D L R		R P O	D L R
APPEARANCE EQUIPMENT			Cornering Lights—Front (Available only on LTD and LTD Brougham pillared hardtop, hardtop, and convertible models.)		
Bumper Guards (Includes front and rear bumper guards on sedans, pillared hardtops, hardtops, and convertibles; front bumper guards only on station wagons.)	X	X	Defogger, Rear Window (Available only on sedans and hardtops; N/A with rear window electric defrost.)	X	
Bumper Guards, Rear (Available only on LTD and LTD Brougham models.)	X	X	Door Edge Guards (N/A on Country Squires.)	X	X
Color-Glow Finishes (Ivy Glow, Gold Glow or Ginger Glow.)	X		Doorgate Washer/Wiper	X	
Moulding, Body Side Protection (Includes black vinyl insert.)	X		Electric Defrost, Rear Window (Includes tinted backlite glass and 55-ampere alternator; Models with air conditioner include 61-ampere alternator; Available only on hardtops and sedans. N/A with 240 CID engine or rear window defogger.)	X	
Paint, Tu-Tone Roof (Includes bright drip mouldings where not standard. N/A on convertibles or Country Squires.)	X		Glass, Tinted Windshield (Available for fleet orders only.)	X	
Paint Stripes, Dual Accent Body Side (Not available on Country Squires.)	X		Glass, Tinted—Complete (Recommended with air conditioner.)	X	
Paint, Color-Glow (See page A-19)	X		Lockable Side Storage Compartment/Carpeted Cargo Area	X	
Trim, Squire Luxury Vinyl (Available only on Country Squire models in knitted vinyl Brougham trim scheme.)	X		Luggage Rack (Includes woodtone appliques and adjustable rear cross bar; Available only on station wagons.)	X	X
Trim, Plaid Seat (Available only in Black Watch (Green/Black) on Country Sedans or Country Squires. Dual facing rear seats are vinyl and color-keyed to interior.)	X		Luggage Rack, Deluxe (Includes integral rear window air deflector, woodtone appliques, and adjustable rear cross bar; Available only on station wagons.)	X	X
Trim, Vinyl Seat (Standard on Custom, convertible and station wagons; Available only on Galaxie 500 sedans or hardtops, or on LTD pillared hardtops or hardtops.)	X		Mirror, Outside Left-Hand Remote Control (Standard with Visibility Group.)	X	X
Vinyl Roof (N/A with Tu-Tone painted roof.)	X		Seat Back Release, Automatic (Available only on 2-door models.)	X	
Wheel Covers (Standard on LTD Brougham and Country Squire Models.)	X	X	Seat, Split High Back Bench, Manual, Reclining Passenger (Includes bright side shields and dual front seat center arm rests; Available only on LTD Brougham models.)	X	
Wheel Covers, Deluxe	X	X	Speed Control, Fingertip (Includes rim blow—deluxe two-spoke steering wheel.) Available only with 400 or 429 CID engine.	X	
AUDIO EQUIPMENT			Steering Wheel, Rim Blow—Deluxe Three-Spoke (N/A with fingertip speed control.)	X	
Radio, AM (Required with stereosonic tape system)	X	X	Steering Wheel, Tilt	X	
Radio, AM/FM Stereo ("Mini" Size) (Includes two front door mounted speakers and dual rear seat speakers. Dual rear seat speakers not available on convertible; N/A with stereosonic tape system.)	X	X	Sunroof, Power Operated (Requires vinyl roof at extra cost. N/A on Station Wagons.)	X	
Speakers, Dual Rear Seat (Includes fader control; optional at extra cost with AM radio; Standard with AM/FM stereo radio or stereosonic tape system; N/A on convertible.)	X	X	Windshield Wipers, Intermittent (Includes woodtone cluster trim cover on Custom, Custom 500, Custom Ranch Wagon and Custom 500 Ranch Wagons.)	X	
Stereosonic Tape System (Includes two front door mounted speakers and dual rear speakers. Dual rear speakers not available on convertible; N/A with AM/FM stereo radio; Requires AM radio at extra cost.)	X	X	Visibility Group (Includes left-hand remote control and right-hand manual control outside mirrors, driver's side ash tray light, parking brake warning light, under instrument panel courtesy light, luggage compartment light, cargo light on station wagons, glove compartment light, rear door courtesy light switches, seat belt warning light, † and engine compartment light. Glove compartment light, driver's side ash tray light, and luggage compartment or cargo light standard on LTD and LTD Brougham models. Instrument panel courtesy light also standard on convertible. Rear door courtesy light switches standard on LTD Brougham models. Dome light standard on all models except convertible.)	X	
COMFORT-CONVENIENCE EQUIPMENT					
Air Conditioner—SelectAire (Includes 55 ampere alternator; 61 ampere alternator standard on models equipped with this option and rear window electric defrost; N/A with 240 CID 1V or 302 CID 2V engines; Tinted glass—complete recommended.)	X				
Air Conditioner—SelectAire with Automatic Temperature Control (Includes 55-ampere alternator; 61-ampere alternator standard on models equipped with this option and rear window electric defrost; N/A with 240 CID 1V or 302 CID 2V engines; Tinted glass—complete recommended.)	X				
Air Conditioner (All Models)		X			
Belts with Warning Light, Deluxe† (Deluxe seat belts color-keyed, includes warning light. Standard on convertible. Shoulder belts not available on convertible.)	X				
Clock, Electric (Standard on LTD, LTD Brougham models.)	X	X			

†Seat belt warning lights to become part of standard seat belt reminder system, December, 1971 availability.

FORD OPTIONS AVAILABILITY

DESCRIPTION	AVAILABILITY*		DESCRIPTION	AVAILABILITY*	
	R P O	D L R		R P O	D L R
ENGINES			TIRES		
302 CID 8-Cylinder (Available only on Custom and Custom 500 Sedans. N/A in California.)	X		(See page A-24 for model availability.)		
351 CID 2V 8-Cylinder (Includes 55-ampere heavy-duty battery. Standard on LTD, LTD Brougham, Station Wagons and California units.)	X		F78 x 15, WSW, Belted	X	X
400 CID 2V 8-Cylinder (Includes 70-ampere heavy-duty battery; Requires power front disc brakes on station wagon models at extra cost, except Country Squire which has them as standard equipment.)	X		G78 x 15, BSW, Belted	X	X
429 CID 4V 8-Cylinder (Includes 80-ampere heavy-duty battery; Requires power front disc brakes at extra cost, except LTD, Brougham and Country Squire which have them as standard equipment.)	X		G78 x 15, WSW, Belted	X	X
			H78 x 15, BSW, Belted	X	X
			H78 x 15, WSW, Belted	X	X
			Steel-Belting Radial Ply Tires	X	X
POWER ASSISTS			TRAILER TOWING, SPECIAL AND HEAVY-DUTY EQUIPMENT		
Electric Trunk Lid Release, Remote Control	X		Alternator—55-ampere (Standard with air conditioner, trailer towing package—Class III, and rear window electric defrost. 61-ampere alternator standard on models equipped with air conditioner in combination with rear electric defrost.)	X	
Power Door Locks (Available on 2-door and 4-door models; Station Wagons include rear door tailgate lock.)	X		Axle, Optional Ratio	X	
Power Front Disc Brakes (Standard on LTD and LTD Brougham models and Squire; Required at extra cost on other station wagons with 400 CID engine or any model with a 429 CID 4V engine.)	X		Axle, "Traction-Lok" Differential	X	
Power Seat—6-Way, Full Width (Includes bright side shields.)	X		Battery, Heavy-Duty—(80-Ampere Standard with 429 CID 4V engine, and Trailer Towing Package.)	X	X
Power Seat—6-Way, Driver Only (Requires split high back bench seat with manual reclining passenger seat at extra cost; Available only on LTD Brougham models.)	X		Frame, Heavy-Duty (Standard on Taxi, Police and Trailer Towing Packages.)	X	
Power Side Windows	X		Load Adjuster, Automatic—Load Adjuster (Recommended for vehicles hauling heavy loads; not available with heavy duty suspension.)	X	
Power Tailgate Lock (Separate option. Available on all Wagons.)	X		Suspension, Heavy-Duty (Includes heavy-duty springs and shock absorbers.)	X	
			Trailer Towing Package—Class II (Includes heavy-duty suspension, extra-cooling package, trailer towing decal, and wiring harness. Requires 400 CID 2V or 429 CID 4V engine; power front disc brakes and H78 x 15 belted tires at extra cost. N/A with automatic load adjuster.) NOTE: SEE TRAILER TOWING WARRANTY STATEMENT PAGE iii.	X	
			Trailer Towing Package—Class III (Includes heavy-duty suspension, heavy-duty battery, heavy-duty alternator, extra-cooling package, 6½ inch wheel rims, trailer towing decal, wiring harness, trailer towing frame, and 3.25 ratio axle. Requires 400 CID 2V or 429 CID 4V engine, power front disc brakes, and H78 x 15 belted tires at extra cost. N/A with automatic load adjuster.) NOTE: SEE TRAILER TOWING WARRANTY STATEMENT PAGE iii.	X	

*RPO—Regular Production Option
DLR—Dealer Installed Accessory

FORD GENERAL SPECIFICATIONS

ENGINE/AXLE RATIO SELECTIONS

ENGINE	REAR AXLE RATIOS		
	SelectShift Cruise-O-Matic		
	STD.	OPT.	Traction-Lok
240 CID 1V 6-Cylinder†	3.25	3.25	3.25
302 CID 2V V-8†	2.75	3.25	2.75 3.25
351 CID 2V V-8	2.75	3.25	2.75 3.25
400 CID 2V V-8	2.75	3.25	2.75 3.25
429 CID 2V V-8	2.75 3.00*	3.25	2.75 3.25 3.00*

Air Conditioning available with either ratio.

*3.00 replaces 2.75 as the standard ratio for California only

†N/A in California.

BELTED TIRES—STANDARD AVAILABILITY

MODEL AND ENGINE APPLICATION	240 CID 1V 6-Cylinder	302 CID 2V 8-Cylinder	351 CID 2V 8-Cylinder	400 CID 2V 8-Cylinder	429 CID 4V 8-Cylinder
CUSTOM 4-Door Sedan Ranch Wagon—6 Passenger	F78 N/A	F78 H78	F78(a) H78	F78(a) H78	G78 H78
CUSTOM 500 4-Door Sedan Ranch Wagon—6 Passenger Ranch Wagon—Dual Facing Rear Seats	F78 N/A N/A	F78 H78 H78	F78(a) H78 H78	F78(a) H78 H78	G78 H78 H78
GALAXIE 500 4-Door Sedan 2-Door Hardtop 4-Door Hardtop Country Sedan—6 Passenger Country Sedan—Dual Facing Rear Seats	F78 F78 F78 N/A N/A	F78 F78 F78 H78 H78	F78(a) F78(a) F78(a) H78 H78	F78(a) F78(a) G78 H78 H78	G78 G78 G78(b) H78 H78
FORD LTD 2-Door Hardtop 4-Door Pillared Hardtop 4-Door Hardtop 2-Door Convertible Country Squire—6 Passenger Country Squire—Dual Facing Rear Seats	N/A N/A N/A N/A N/A N/A	N/A N/A N/A N/A N/A N/A	F78(a) G78 G78 G78 H78 H78	F78(a) G78 G78 G78 H78 H78	G78(b) G78(b) G78(b) G78(b) H78 H78
FORD LTD BROUGHAM 2-Door Hardtop 4-Door Pillared Hardtop 4-Door Hardtop	N/A N/A N/A	N/A N/A N/A	G78 G78 G78	G78 G78 G78	G78(b) G78(b) G78(b)

(a) G78 BSW standard on models with air conditioner.

(b) H78 BSW standard on models with air conditioner.

All tires are 15-inch BSW belted. For optional tires, see the Options Availability listing, Page A-23.

FORD GENERAL SPECIFICATIONS

BRAKE SPECIFICATIONS

	Passenger	Station Wagons	Optional Power Assist* Rear Drum/Front Disc	
			Rear	Front
Brake Drum Diameter.....	11.03	11.03	11.03	—
Brake Rotor Diameter.....	—	—	—	11.72
Lining Material.....	Molded Asbestos			
Lining Attachment.....	Riveted			
Lining Width				
Front.....	2.50	3.00	—	1.77
Rear.....	2.25	2.50	2.25	—
Total Lining Area (Square Inches)				
Effective.....	169.8	188.4	80.4	42.8
Gross.....	201.6	222.7	95.5	42.8
Swept Area.....	329.2	363.8	155.9	217.3
Parking Brake Type.....	Mechanical Application of Rear Brakes			

*Standard on LTD, LTD Brougham and Squire.

STEERING SPECIFICATIONS

Linkage Type.....	Parallelogram with Cross Link and Idler Arm
Gear Type	
Power.....	Recirculating Ball and Nut
Overall Steering Ratio	
Power.....	21.8:1
Steering Wheel Turns (Lock-to-Lock)	
Power.....	3.99
Turning Diameter (Curb-to-Curb).....	41.9 Feet
Steering Wheel Diameter.....	15 x 15½

WHEEL SPECIFICATIONS

Type.....	Stamped Steel Disc
Number of Studs.....	5
Diameter and Rim Size (inches)	
Passenger.....	15 x 5
Station Wagon.....	15 x 6.5

CURB WEIGHTS

MODEL	CURB WEIGHT
SEDANS	
Custom Four-Door.....	4050
Custom 500 Four-Door.....	4055
Galaxie 500 Four-Door.....	4090
TWO-DOOR HARDTOPS	
Galaxie 500.....	4100
LTD.....	4160
LTD Brougham.....	4190
FOUR-DOOR HARDTOPS	
Galaxie 500.....	4150
LTD.....	4215
LTD Pillared/Hardtop.....	4220
LTD Brougham.....	4245
LTD Brougham Pillared/Hardtop.....	4250
CONVERTIBLE	
LTD.....	4235
STATION WAGONS	
Custom Ranch Wagon (6-Passenger).....	4480
Custom 500 Ranch Wagon (6-Passenger).....	4490
Custom 500 Ranch Wagon DFRS*.....	4540
Country Sedan (6-Passenger).....	4530
Country Sedan DFRS*.....	4580
Country Squire (6-Passenger).....	4575
Country Squire DFRS*.....	4625

*Dual Facing Rear Seat

NOTE: All Weights Include 351 CID Engine.
For 240 CID Deduct 171 Lbs.

FORD GENERAL SPECIFICATIONS

BODY DIMENSIONS

All dimensions in inches unless otherwise noted	Sedans			Formal Hardtops		4-Door Hardtops		Convertibles	Station Wagons		
	Custom & Custom 500	Galaxie 500	LTD & LTD Brougham	Galaxie 500	LTD & LTD Brougham	Galaxie 500	LTD & LTD Brougham	LTD	Ranch Wagons	Country Sedans	Country Squires
GENERAL											
Wheelbase	121	121	121	121	121	121	121	121	121	121	121
Tread—Front	63.3	63.3	63.3	63.3	63.3	63.3	63.3	63.3	63.3	63.3	63.3
—Rear	64.3	64.3	64.3	64.3	64.3	64.3	64.3	64.3	64.3	64.3	64.3
Height—Overall	54.9	54.9	54.9	53.0	53.0	53.0	53.0	54.1	57.0	57.0	57.0
Length—Overall	218.4	218.4	218.4	218.4	218.4	218.4	218.4	218.4	221.4	221.4	221.4
Width—Overall	79.2	79.2	79.2	79.2	79.2	79.2	79.2	79.2	79.2	79.2	79.2
Width—At Center Pillar	78.7	78.7	78.7	78.7	78.7	78.7	78.7	78.7	78.7	78.7	78.7
FRONT DOOR ENTRANCE ROOM											
Foot Clearance	17.8	17.8	17.8	17.6	17.6	17.6	17.6	17.6	17.8	17.8	17.8
Entrance Height (seat to windcord)	30.8	30.8	30.8	30.1	30.1	30.1	30.1	30.1	30.8	30.8	30.8
REAR DOOR ENTRANCE ROOM											
Foot Clearance	13.6	13.6	13.6	9.6	9.6	13.6	13.6	8.1	14.8	14.8	14.8
Entrance Height (seat to windcord)	30.4	30.4	30.4	—	—	29.5	29.5	—	30.5	30.5	30.5
FRONT SEAT ROOM											
Head Room (effective)	39.1	38.8	37.7	37.6	37.4	37.9	37.7	38.8	39.3	39.0	39.0
Maximum Leg Room to accelerator	42.0	41.8	41.7	41.8	41.7	41.8	41.7	41.7	42.0	41.8	41.8
Hip Room	62.3	62.3	62.3	62.3	62.3	62.3	62.3	62.3	62.3	62.3	62.3
Shoulder Room	62.0	62.0	62.0	62.0	62.0	62.0	62.0	62.0	62.0	62.0	62.0
Cushion Height (from floor to crest of front)	10.8	10.8	10.8	11.3	11.3	11.3	11.3	11.3	10.8	10.8	10.8
Cushion Depth	15.0	15.0	15.0	14.8	14.8	14.8	14.8	14.8	15.0	15.0	15.0
Steering wheel to thigh clearance	4.1	4.1	4.1	3.7	3.7	3.7	3.7	3.7	4.1	4.1	4.1
REAR SEAT (OR WAGON SECOND SEAT) ROOM											
Head Room (effective)	37.3	37.4	36.8	36.7	36.5	37.0	36.8	37.0	39.9	39.9	39.5
Minimum Effective Leg Room	38.7	38.3	38.2	35.7	35.6	38.3	38.2	32.5	37.2	37.1	37.1
Hip Room	62.3	62.3	62.3	61.0	61.0	62.3	62.3	59.4	62.4	62.4	62.4
Shoulder Room	61.8	61.8	61.8	60.6	60.6	61.8	61.8	60.9	62.0	62.0	62.0
Cushion Height (from floor to crest at front)	13.0	13.0	13.0	13.1	13.1	13.0	13.0	13.1	12.8	12.8	12.8
Cushion Depth	14.8	14.8	14.8	13.7	13.7	14.4	14.4	13.1	13.4	13.4	13.4
3RD SEAT ROOM (DFRS WAGONS)											
Head Room (effective)	—	—	—	—	—	—	—	—	Left Hand 35.4		Right Hand 37.5
Leg Room (effective)	—	—	—	—	—	—	—	—	31.2		31.5
LUGGAGE COMPARTMENT											
Usable luggage capacity (cu. ft.)	18.2	18.2	18.2	18.2	18.2	18.2	18.2	15.9	—	—	—
CARGO COMPARTMENT											
Cargo Volume (cu. ft.)	—	—	—	—	—	—	—	—	96.2*	96.2*	96.2*
Maximum floor length (tailgate open)	—	—	—	—	—	—	—	—	113.8	113.8	113.8
Minimum load floor length (tailgate closed)	—	—	—	—	—	—	—	—	92.4	92.4	92.4
Maximum rear opening width	—	—	—	—	—	—	—	—	54.0	54.0	54.0
Rear opening height	—	—	—	—	—	—	—	—	29.0	29.0	29.0
Maximum floor width (between wheel housings)	—	—	—	—	—	—	—	—	48.7	48.7	48.7
Maximum floor width	—	—	—	—	—	—	—	—	62.4	62.4	62.4
GLASS AREA (sq. inches)											
Side glass exposed surface area	1541.3	1541.3	1541.3	1311.6	1311.6	1610.8	1610.8	1466.6	2970.6	2970.6	2970.6
Windshield glass exposed surface area	1365.0	1365.0	1365.0	1363.4	1363.4	1339.1	1339.1	1326.1	1365.0	1365.0	1365.0
Backlight glass exposed surface area	930.7	930.7	930.7	1115	1115	850	850	794.0	688.8	688.8	688.8
Total glass exposed surface area	3837.0	3837.0	3837.0	3790.0	3790.0	3799.9	3799.9	3586.7	5024.4	5024.4	5025.4

*Additional 9.1 cu. ft. on 6-Passenger wagons, and 5.4 cu. ft. on dual-facing rear seat wagons for storage under load floor. (1.2 cu. ft. optional lockable storage in left rear quarter.)

FORD COLOR AND TRIM SELECTIONS

Charts shown reflect the color and trim combinations. Exterior colors and codes are in the first chart and the trim combinations follow. Colors and codes referenced are the same as those shown in your Color and Trim Book.

EXTERIOR COLORS AND CODES			
Color	Code	Color	Code
Light Gray Metallic	1A	Dark Green Metallic	4Q
Black	1C	Medium Brown Metallic	5H
Red	2E	Yellow	6D
Maroon	2J	Gray Gold Metallic	6J
Light Blue	3B	White	9A
Medium Blue Metallic	3D	Ivy Glow	4C*
Bright Green Gold Metallic	4B	Ginger Glow	5J*
Medium Green Metallic	4P	Gold Glow	6F*

* Extra cost Color Glow Paint

CUSTOM AND CUSTOM RANCH WAGON		
ALL VINYL BENCH		
Interior Trims		Exterior Color Availability Codes
Color	Code	
Black	NA	All
Medium Blue	NB	1C, 9A, 3D, 3B
Medium Green S.W. only	NR*	1C, 9A, 4Q, 4P, 4B, 6D, 6J, 4C
Gray Gold	NY†	1C, 9A, 4Q, 4P, 4B, 6D, 6J, 5J, 6F

*Ranch Wagon Only
†Custom Only

CUSTOM 500		
CLOTH AND VINYL BENCH		
Interior Trims		Exterior Color Availability Codes
Color	Code	
Black	HA	All
Medium Blue	HB	1C, 9A, 3D, 3B
Medium Green	HR	1C, 9A, 4Q, 4P, 4B, 6D, 6J, 5J, 4C
Gray Gold	HY	1C, 9A, 4Q, 4P, 4B, 6D, 6J, 6F

CUSTOM 500 RANCH WAGONS		
ALL VINYL BENCH		
Interior Trims		Exterior Color Availability Codes
Color	Code	
Black	JA	All
Medium Blue	JB	1C, 9A, 3D, 3B
Medium Ginger	JF	1C, 9A, 5H, 6B, 6D, 5J, 4C
Medium Green	JR	1C, 9A, 4Q, 4P, 4B, 6D, 6J, 4C

GALAXIE 500		
CLOTH AND VINYL BENCH		
Interior Trims		Exterior Color Availability Codes
Color	Code	
Black	KA	All
Medium Blue	KB	1C, 9A, 3D, 3B
Medium Ginger	KF	1C, 9A, 5H, 6B, 6D, 4C, 5J
Medium Green	KR	1C, 9A, 4Q, 4P, 4B, 6D, 6J, 4C
Gray Gold	KY	1C, 9A, 4Q, 4P, 4B, 6D, 6J, 6F

GALAXIE 500		
ALL VINYL BENCH—OPTION		
Interior Trims		Exterior Color Availability Codes
Color	Code	
Black	WA	All
Medium Blue	WB	1C, 9A, 3D, 3B
Dark Red	WD	1C, 9A, 2E, 2J
Medium Ginger	WF	1C, 9A, 5H, 6B, 6D, 5J, 4C
Medium Green	WR	1C, 9A, 4Q, 4P, 4B, 6D, 6J, 4C
Gray Gold	WY	1C, 9A, 4Q, 4P, 4B, 6D, 6J, 6F
White (w/black)*	WW†	

*White trim with various black components
†65F Only

GALAXIE 500 COUNTRY SEDAN		
ALL VINYL BENCH		
Interior Trims		Exterior Color Availability Codes
Color	Code	
Black	WA	All
Medium Blue	WB	1C, 9A, 3D, 3B
Dark Red	WD	1C, 9A, 2E, 2J
Ginger	WF	1C, 9A, 5H, 6B, 6D, 5J
Medium Green	WR	1C, 9A, 4Q, 4P, 4B, 6D, 6J, 4C

COUNTRY SEDAN & COUNTRY SQUIRE		
BLACK WATCH PLAID CLOTH AND VINYL BENCH—OPTION		
Interior Trims		Exterior Color Availability Codes
Color	Code	
Black (Country Sedan)	RA	All
Black (Country Squire)	VA	All

LTD		
ALL VINYL BENCH—OPTION		
Interior Trims		Exterior Color Availability Codes
Color	Code	
Black	FA	All
Medium Blue	FB	1C, 9H, 3D, 3B
Dark Red	FD	1C, 9A, 2E, 2J
Ginger	FF	1C, 9A, 5H, 6B, 6D
Medium Green	FR	1C, 9A, 4Q, 4P, 4B, 6D, 6J, 4C
Gray Gold	FY	1C, 9A, 4Q, 4P, 4B, 6D, 6J, 6F
White (w/black)* 65H only	FW	All

*White trim with various black components.

LTD		
CLOTH AND VINYL BENCH		
Interior Trims		Exterior Color Availability Codes
Color	Code	
Black	DA	All
Medium Blue	DB	1C, 9A, 3D, 3B
Dark Red	DD	1C, 9A, 2E, 2J
Ginger	DF	1C, 9A, 5H, 6B, 6D
Medium Green	DR	1C, 9A, 4Q, 4P, 4B, 6D, 6J, 4C
Gray Gold	DY	1C, 9A, 4Q, 4P, 4B, 6D, 6J, 6F

FORD COLOR AND TRIM SELECTIONS

LTD BROUGHAM		
CLOTH AND VINYL HI BACK BENCH		
Interior Trims		Exterior Color Availability Codes
Color	Code	
Black	ZA	All
Medium Blue	ZB	1C, 9A, 3D, 3B
Dark Red	ZD	1C, 9A, 2E, 2J
Medium Green	ZR	1C, 9A, 4Q, 4P, 4B, 6D, 6J
Gray Gold	ZY	1C, 9A, 4Q, 4P, 4B, 6D, 6J, 6F
Dark Tobacco	ZZ	1C, 9A, 5H, 6B, 6D, 5J, 4C

LTD CONVERTIBLE & COUNTRY SQUIRE		
ALL VINYL BENCH		
Interior Trims		Exterior Color Availability Codes
Color	Code	
Black	FA	All
Medium Blue	FB	1C, 9A, 3D, 3B
Dark Red	FD	1C, 9A, 2E, 2J
Ginger (S.W. Only)	FF	1C, 9A, 5H, 6B, 6D
Medium Green	FR	1C, 9A, 4Q, 4P, 4B, 6D, 6J, 4C
White (w/black)*	FW†	All

*White trim with various black components.

†Convertible Only.

LTD BROUGHAM		
CLOTH AND VINYL HI BACK SPLIT BENCH—OPTION		
Interior Trims		Exterior Color Availability Codes
Color	Code	
Black	EA	All
Medium Blue	EB	1C, 9A, 3D, 3B
Dark Red	ED	1C, 9A, 2E, 2J
Medium Green	ER	1C, 9A, 4Q, 4P, 4B, 6D, 6J
Gray Gold	EY	1C, 9A, 4Q, 4P, 4B, 6D, 6J, 6F
Dark Tobacco	EZ	1C, 9A, 5H, 6B, 6D, 5J, 4C

FORD VINYL ROOFS			
Roof Color	Code	Exterior	Interior*
Black	01	All	All
White	02	All	All
Dark Blue	03	3B, 3D, 9A	A, W, B B
Dark Green	05	4B, 4P, 4Q, 9A, 6J, 5A	A, W, R, Y R Y
Brown	07	5H, 9A, 5A, 6B, 6D	A, W, F, Z F, Z
Ginger	0W†	9A, 5A, 6D, 5H, 6B, 4B, 4Q, 6J	A, R, F, A, F A, R A

†Country Squire Only.

*A—Black, W—White, B—Blue, R—Green, Y—Light Gray Gold

COUNTRY SQUIRE		
KNITTED VINYL—OPTION		
Interior Trims		Exterior Color Availability Codes
Color	Code	
Black	BA	All
Medium Blue	BB	1C, 9A, 3D, 3B
Ginger	BF	1C, 9A, 5H, 6B, 6D
Medium Green	BR	1C, 9A, 4Q, 4P, 4B, 6D, 6J, 4C

TWO TONE PAINT	
Two Tone Paint combinations are available on all models except Convertibles or the Country Squire.	
Roof Color	Exterior Availability
Black	9A
White	1C
Black or White	2E, 2J, 3D, 3B, 4Q, 4P, 4B, 5H, 6B, 6D, 6J, 4C, 5J, 6F

DUAL PAINT STRIPE**								
Color	Code			Color	Code			
Black	A			Silver	P			
Blue	B			Yellow	V			
Red	D							
EXTERIOR COLOR	INTERIOR TRIM							
	Black	White	Dk. Red	Med. Blue	Med. Green	Gray Gold	Ginger	Tobacco
1A Lt. Gray Met.	A	A	D	A	—	—	—	—
1C Black	P	P	D	P	V	V	V	V
9A White	A	A	D	B	A	A	D	A
2E Red	P	P	P	—	—	—	—	—
2J Maroon	P	P	D	—	—	—	—	—
3D Med. Blue Met.	A	A	—	A	—	—	—	—
3B Lt. Blue	B	B	—	B	—	—	—	—
4Q Dk. Green Met.	P	P	—	—	V	V	—	—
4P Med. Green Met.	A	A	—	—	A	A	—	—
4B Brt. Green Gold Met.	A	A	—	—	V	V	—	—
4C* Ivy Glow	P	P	—	—	V	V	—	—
5H Med. Brown Met.	V	V	—	—	—	—	V	V
6D Yellow	A	A	—	—	A	A	A	A
6F* Gold Glow	A	A	—	—	—	—	A	A
6J Gray Gold Met.	A	A	—	—	A	A	—	—
5J* Ginger GJow	V	V	—	—	—	—	V	V

*RPO.

**Available All Models Except Country Squire.

FORD COLOR AND TRIM GUIDE

EXTERIOR COLORS



1A Lt. Gray Met.



1C Black



2E Red



2J Maroon



3B Lt. Blue



3D Med. Blue Met.



4B Brt. Green Gold Met.



4P Med. Green Met.



4Q Dk. Green Met.



5H Med. Brown Met.



6D Yellow



6J Gray Gold Met.



9A White



4C Ivy Glow
(RPO)



5J Ginger Glow
(RPO)

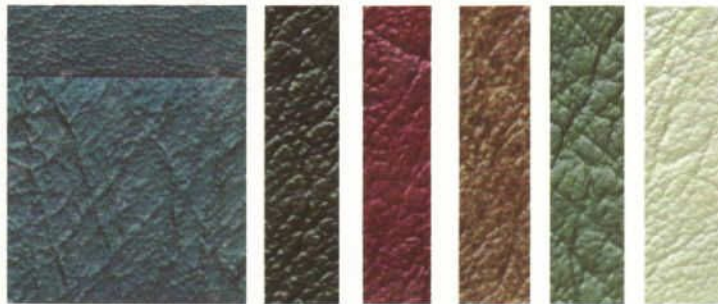


6F Gold Glow
(RPO)

FORD COLOR AND TRIM GUIDE

INTERIORS

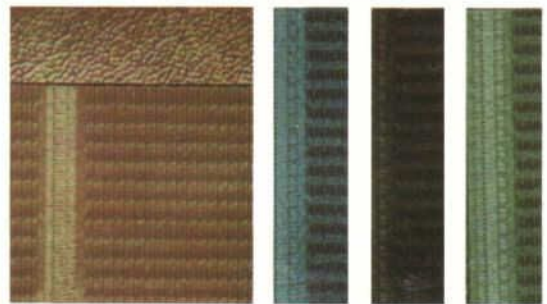
VINYL (STD.) Country Sedan Wagon/Country Squire Wagon/Convertible⁽¹⁾
 (OPT.) Galaxie 500—4 Dr. Sedan/2 Dr.⁽¹⁾ & 4 Dr. H/Top
 LTD—4 Dr. Pillared H/Top/2 Dr.⁽¹⁾ & 4 Dr. H/Top



Med. Blue Black Dk. Red Ginger* Med. Green Lt. Gray*

* Not available on Convertible or Wagons. ⁽¹⁾ Available in White w/Black not illustrated.

VINYL (STD.) Custom 500 Ranch Wagon



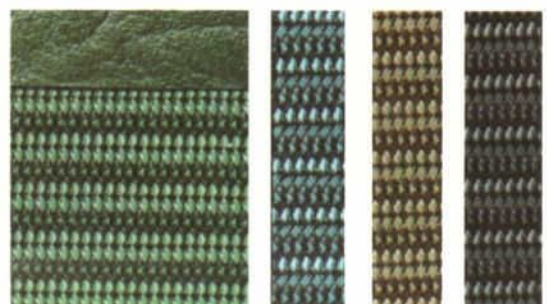
Ginger Med. Blue Black Med. Green

CLOTH & VINYL (STD.) LTD—2 Dr. & 4 Dr. H/Top
 4 Dr. Pillared H/Top



Ginger Med. Blue Dk. Red Black Med. Green Lt. Gray Gold

LUXURY BROUGHAM KNITTED VINYL (OPT.) Country Squire Wagon



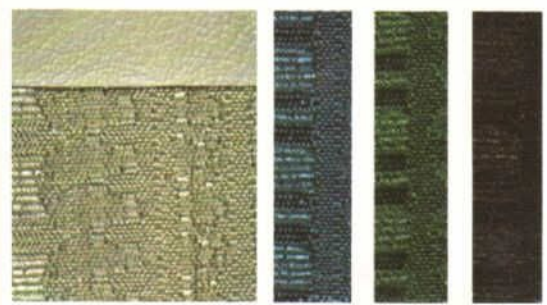
Med. Green Med. Blue Ginger Black

CLOTH & VINYL (STD. Hi-Back Bench)—LTD Brougham 2 Dr. & 4 Dr. H/Top
 4 Dr. Pillared H/Top
 (OPT. Hi-Back Split Bench)—LTD Brougham 2 Dr. & 4 Dr. H/Top;
 4 Dr. Pillared H/Top



Dk. Red Med. Blue Black Med. Green Lt. Gray Gold Tobacco

CLOTH & VINYL (STD.) Custom 500 4 Dr. Sedan



Lt. Gray Gold Med. Blue Med. Green Black

CLOTH & VINYL (STD.) Galaxie 500
 2 Dr. & 4 Dr. H/Top
 4 Dr. Sedan



Med. Blue Black Ginger Med. Green Lt. Gray Gold

VINYL (STD.) Custom 4 Dr. Sedan*
 Custom Ranch Wagon**



Black Med. Blue Med. Green Lt. Gray Gold

PLAID CLOTH & VINYL (OPT.)
 Country Sedan
 Wagon & Country
 Squire Wagon



Black

* Med. Green not available.
 ** Lt. Gray Gold not available.